

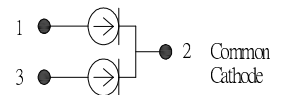
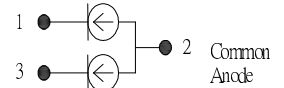
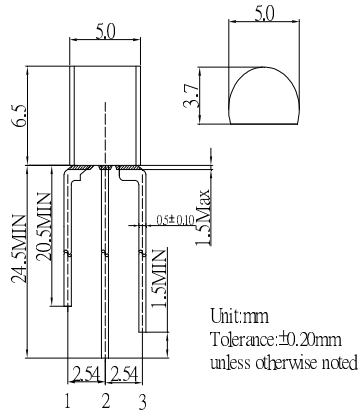
CURRENT REGULATIVE DIODE (CRD)

■ Outline Dimension

- CRD is a diode which supplies constant current to an electric circuit, when power supply voltage fluctuations or load impedance fluctuations occur.
- CRD is used for current stabilization and current limiting.
- CRD is offered on TO-92

■ Features

- Robust Power Package:460mW
- Wide Operating Voltage Range
- Immediate Turn-On
- Voltage Surge Suppressing – Protecting LEDs



■ Absolute Maximum Rating (Ta=25°C)

| Item | Symbol | Value | Unit |
|-----------------------|------------------|-----------|------|
| Input Voltage | V _F | 24 | V |
| Junction Temperature | T _j | 125 | °C |
| Storage Temperature | T _{stg} | -40~ +125 | °C |
| Collector Dissipation | P _c | 0.75*2 | W |

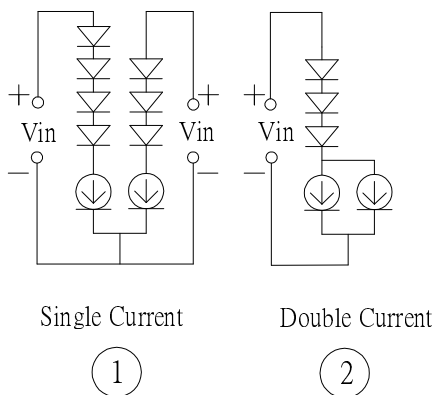
■ Electrical -Optical Characteristics (Ta=25°C)

| Part Number | Color Marking | Constant Current(I _H) | | Turn-on Voltage(V _k) | | Limiting Ratio (K _c) | Withstand Voltage (V) |
|-------------|----------------------|-----------------------------------|------------|----------------------------------|----------------------|------------------------------------|-----------------------|
| | | I _H | Voltage(v) | V _k (V) | I _k (MA) | I _{30v} /I _{10v} | |
| OSCRDT218-A | Light Green Diffused | 16-19 | 10 | ≤3.5 | ≤0.8I _H | ≤1.1 | >70 |
| OSCRDT218-C | Light Blue Diffused | 16-19 | 10 | ≤3.5 | ≤0.8I _H | ≤1.1 | >70 |

■ Application

- Automobile: Chevron Side Mirror Markers, Cluster, Display & Instrument Backlighting, CHMSL, Map Light
- DC Lighting Panels, Display Signage, Decorative Lighting, Channel Lettering
- Switch Contact Wetting

■ Application Information



■ Basic characteristics

