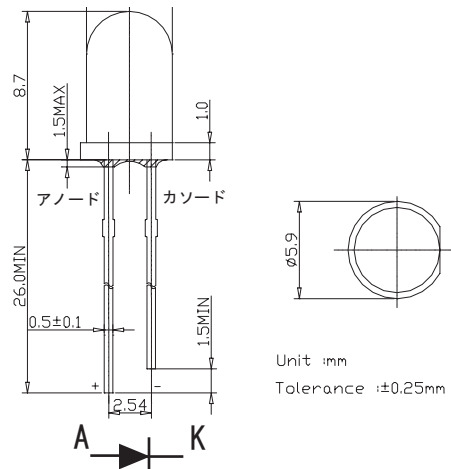


赤外線発光ダイオード
(目には見えない)
Features

- High Radiant
- 5mm Standard Directivity
- Superior Weather-resistance
- Suitable for Pulsed Application
- Green Transparent Type

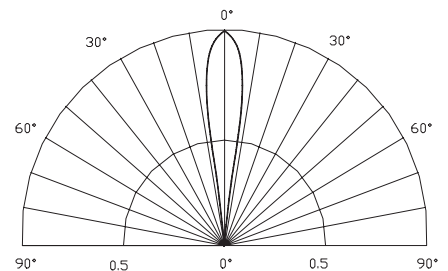
Applications

- Automatic Control System
- Photo Detector
- Computer I/O Peripheral

Outline Dimension

Absolute Maximum Rating
(Ta=25°C)

Item	Symbol	Value	Unit
DC Forward Current	I_F	25	mA
Pulse Forward Current*	I_{FP}	100	mA
Reverse Voltage	V_R	5	V
Power Dissipation	P_D	150	mW
Operating Temperature	T_{opr}	-40 ~ +95	°C
Storage Temperature	T_{stg}	-40 ~ +100	°C
Lead Soldering Temperature	T_{sol}	260°C/5sec	-

*Pulse width Max.10ms Duty ratio max 1/10

Directivity

Electrical-Optical Characteristics
(Ta=25°C)
Intensity Grade

Item	Symbol	Condition	Min.	Typ.	Max.	Unit
DC Forward Voltage	V_F	$I_F=20mA$	-	1.25	1.8	V
DC Reverse Current	I_R	$V_R=5V$	-	-	10	μA
Peak Wavelength	λ_p	$I_F=20mA$	-	940	-	nm
Radiation Power	P_R	$I_F=20mA$	-	22	-	mW/sr
50% Power Angle	$2\theta_{1/2}$	$I_F=20mA$	-	15	-	deg

Rank Code	Range(mW/so)
A	8.0-11.2
B	11.2-15.6
C	15.6-22.0
-	
-	