

0.56 Inch Three Digit Display
OSL30561-IX (Common Anode type)
OSL30561-LX (Common Cathode type)

■ **Features**

- 0.56 Inch Three Digit Display
- Long lifetime operation
- IC compatible
- Low power dissipation
- Number of pins: 12

■ **Applications**

- Counting device
- Clock

■ **Absolute Maximum Rating** (Ta=25°C)







■ **Photo**



Item	Symbol	Value		Unit
		RA/R/YG/Y	B/G/W	
DC Forward Current	I _F	20	20	mA
Pulse Forward Current*	I _{FP}	100	100	mA
Reverse Voltage	V _R	5	5	V
Power Dissipation	P _t	44	66	mW
Operating Temperature	Topr	-30 ~ +70		°C
Storage Temperature	Tstg	-40~ +85		°C
Lead Soldering Temperature(1.6mm from seating plane)	Tsol	260°C/5sec		°C

*Pulse width Max.10ms Duty ratio max 1/10

■ **Electrical -Optical Characteristics** (Ta=25°C)

Part Number	Color		V _F (V)			I _R (μA)	I _v (mcd)			λD(nm)			
			Min.	Typ.	Max.	Max.	Min.	Typ.	Max.	Min.	Typ.	Max.	
			I _F =20mA			V _R =5V	I _F =20mA						
OSL30561-IW(LW)	White	W	-	3.3	4.0	10	-	65	-	CCT:8500-14000K			
OSL30561-IB(LB)	Blue	B		-	3.3	4.0	10	-	50	-	465	470	475
OSL30561-IG(LG)	Pure Green	G		-	3.3	4.0	10	-	200	-	515	525	530
OSL30561-IYG(LYG)	Yellow Green	YG		-	2.2	2.6	10	-	12	-	565	571	575
OSL30561-IY(LY)	Yellow	Y		-	2.1	2.5	10	-	60	-	585	590	595
OSL30561-IR(LR)	Red	R		-	2.1	2.5	10	-	26	-	625	630	640
OSL30561-IRA(LRA)	High Luminance Red	RA		-	2.1	2.5	10	-	100	-	620	625	630

*1 Tolerance of measurements of chromaticity coordinate is ±10%

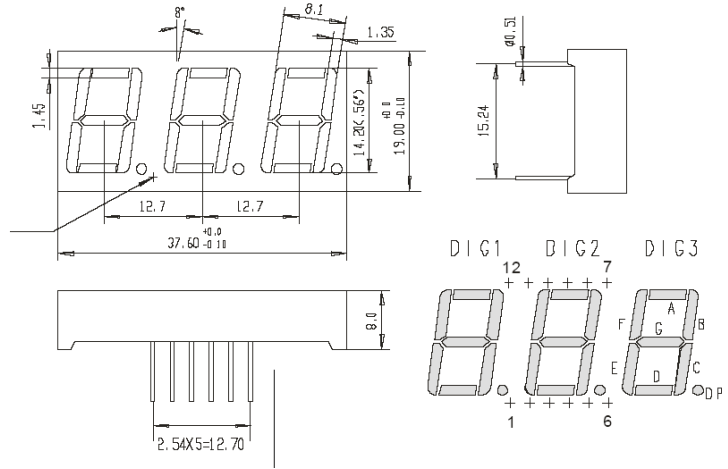
*2 Tolerance of measurements of dominant wavelength is ±1nm

*3 Tolerance of measurements of luminous intensity is ±15%

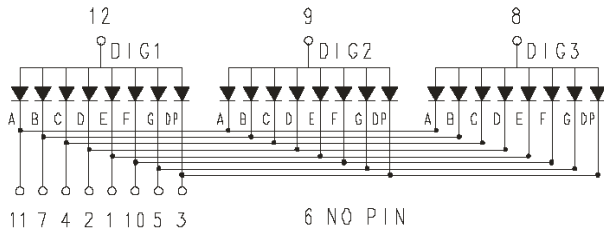
*4 Tolerance of measurements of forward voltage is±0.1V

■ Package Dimensions and Pin Function

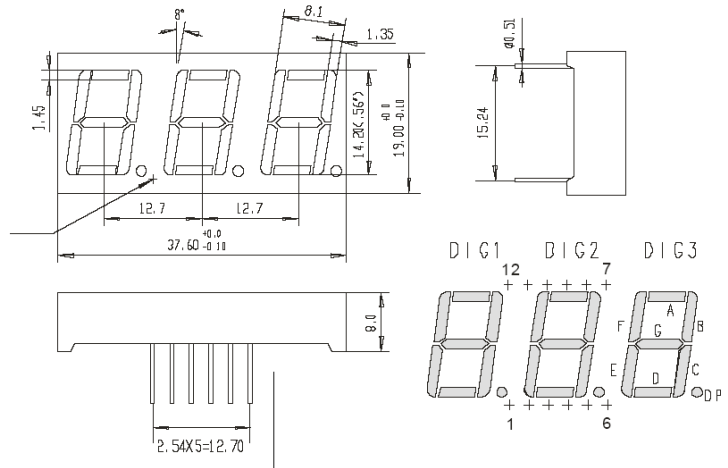
**OSL30561-IX
(Common Anode type)**



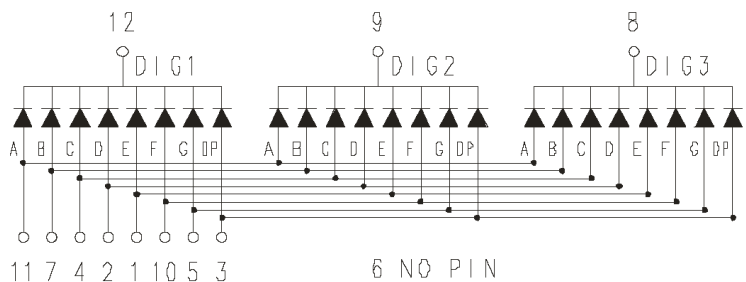
Note:
1, Unit : mm(Tolerance:±0.25mm unless otherwise noted)
2, The slope angle of any PIN may be±5.0° Max



**OSL30561-LX
(Common Cathode type)**



Note:
1, Unit : mm(Tolerance:±0.25mm unless otherwise noted)
2, The slope angle of any PIN may be±5.0° Max



LAMP APPLICATION (PB FREE SOLDERJING)

Apply to Display (DIP) SERIES.

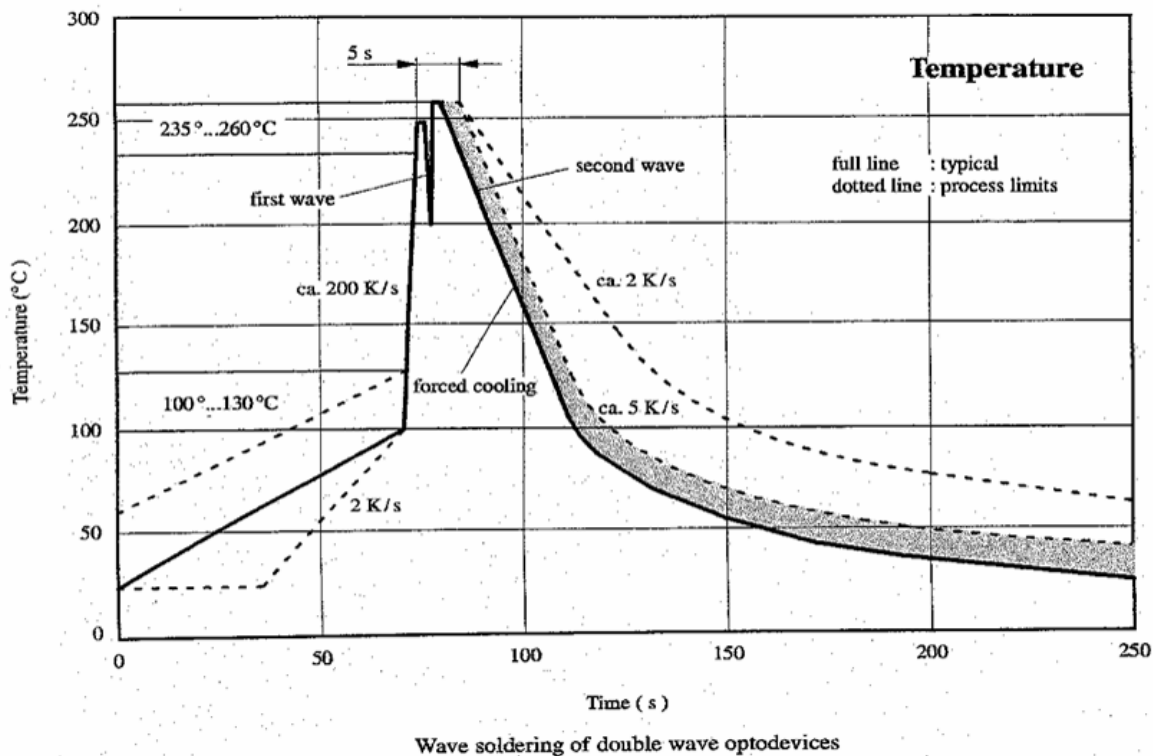
Description:

(1) Manual soldering (Solder Iron)

- (1.1) Temperature at tip of the iron: 350°C Max.
- (1.2) It's banned to load any stress on the resin during soldering.
- (1.3) Soldering time: 3sec.Max.(one time only.)
- (1.4) Leave 3mm of minimum distance from the base of the epoxy.

(2) Dip Soldering (Wave Soldering-Solder Bath)

- (2.1) Leave 3mm of minimum distance from the base of the epoxy.
Soldering beyond the base of the tie bar (stand off) is recommended.
- (2.2) When soldering, do not put stress on the Display during heating.
- (2.3) Cutting the lead frames at high temperatures may cause LED failure.
- (2.4) Never take next process until the component is cooled down to room temperature after reflow.
- (2.5) After soldering, do not warp the circuit board.
- (2.6) The recommended dip soldering profile is the following.



0.56 Inch Three Digit Display
OSL30561-IX (Common Anode type)
OSL30561-LX (Common Cathode type)

■ Packing DWG

