

■ **Features**

- 0.39 Inch Four Digit Display
- Long lifetime operation
- IC compatible
- Low power dissipation

■ **Applications**

- Counting device
- Clock

■ **Absolute Maximum Rating** (Ta=25°C)

■ **Photo**



Item	Symbol	Value		Unit
		RA/R/YG/Y	B/G/W	
DC Forward Current	I <sub>F</sub>	20	20	mA
Pulse Forward Current*	I <sub>FP</sub>	100	100	mA
Reverse Voltage	V <sub>R</sub>	5	5	V
Power Dissipation	P <sub>t</sub>	44	66	mW
Operating Temperature	Topr	-30 ~ +70		°C
Storage Temperature	Tstg	-40~ +85		°C
Lead Soldering Temperature(1.6mm from seating plane)	Tsol	260°C/5sec		°C

\*Pulse width Max.10ms Duty ratio max 1/10

■ **Electrical -Optical Characteristics** (Ta=25°C)

Part Number	Color		V <sub>F</sub> (V)			I <sub>R</sub> (μA)	I <sub>v</sub> (mcd)			λD(nm)			
			Min.	Typ.	Max.	Max.	Min.	Typ.	Max.	Min.	Typ.	Max.	
			I <sub>F</sub> =20mA			V <sub>R</sub> =5V	I <sub>F</sub> =20mA						
OSL40391-IW /LW	White	W	-	3.3	3.5	20	-	65	-	X=0.27 · Y=0.28			
OSL40391-IB /LB	Blue	B		-	3.3	3.5	20	-	65	-	-	470	-
OSL40391-IG /LG	Pure Green	G		-	3.3	3.5	20	-	189	-	-	525	-
OSL40391-IYG /LYG	Yellow Green	YG		-	2.2	2.4	20	-	12	-	-	571	-
OSL40391-IY /LY	Yellow	Y		-	2.1	2.5	20	-	55	-	-	590	-
OSL40391-IR /LR	Red	R		-	2.1	2.5	20	-	26	-	-	630	-
OSL40391-IRA /LRA	High Red	RA		-	2.1	2.5	20	-	100	-	-	625	-

\*1 Tolerance of measurements of chromaticity coordinate is ±10%

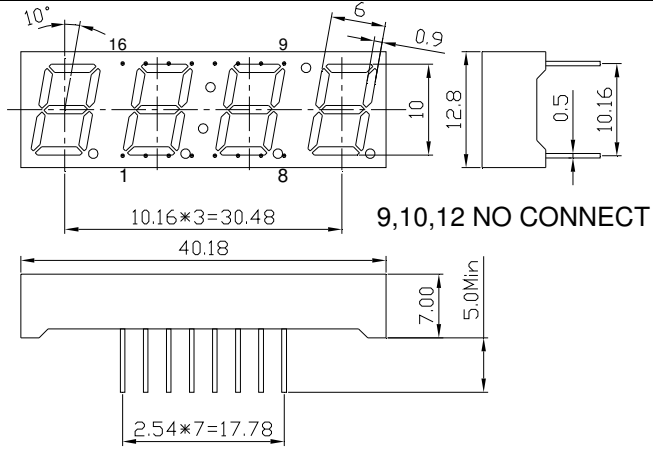
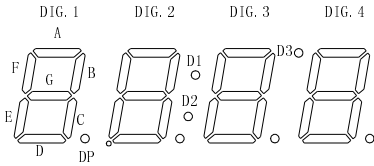
\*2 Tolerance of measurements of dominant wavelength is ±1nm

\*3 Tolerance of measurements of luminous intensity is ±15%

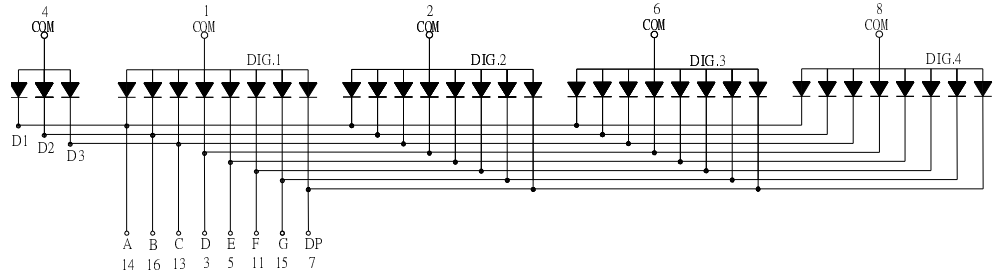
\*4 Tolerance of measurements of forward voltage is±0.1V

**Package Dimensions and Pin Function**

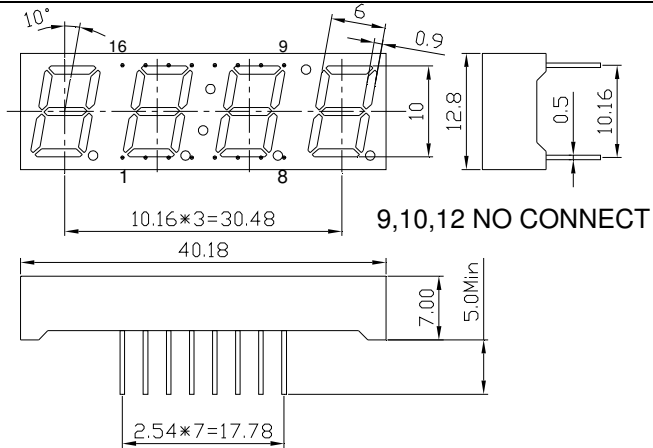
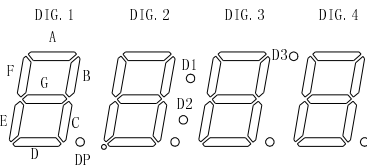
**OSL40391-IX  
(Common Anode type)**



Note:  
1, Unit : mm( Tolerance:±0.25mm unless otherwise noted)  
2, The slope angle of any PIN may be±5.0°Max



**OSL40391-LX  
(Common Cathode type)**



Note:  
1, Unit : mm( Tolerance:±0.25mm unless otherwise noted)  
2, The slope angle of any PIN may be±5.0°Max

