

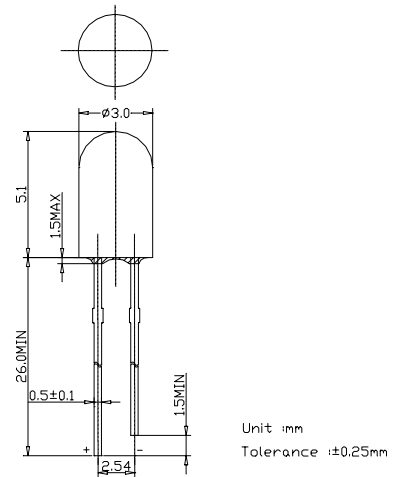
■Features

- High Power LEDs
- 3ø Standard Directivity
- Superior Weather-resistance
- UV Resistant Epoxy

■Applications

- General Purpose Indicators
- Small Area Illuminations
- Back Lighting

■Outline Dimension



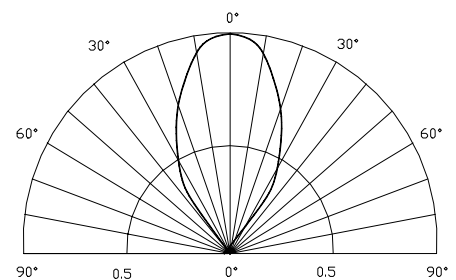
■Absolute Maximum Rating

(Ta=25 °C)

Item	Symbol	Value	Unit
DC Forward Current	I_F	25	mA
Pulse Forward Current*	I_{FP}	100	mA
Reverse Voltage	V_R	5	V
Power Dissipation	P_D	120	mW
Operating Temperature	T_{opr}	-20 ~ +75	
Storage Temperature	T_{stg}	-30 ~ +80	
Lead Soldering Temperature	T_{sol}	260 /3sec	-

*Pulse width Max.10ms Duty ratio max 1/10

■Directivity



■Electrical -Optical Characteristics

(Ta=25 °C)

Item	Symbol	Condition	Min.	Typ.	Max.	Unit
DC Forward Voltage	V_F	$I_F=20mA$	2.8	3.4	4.2	V
DC Reverse Current	I_R	$V_R=5V$	-	-	100	μA
Luminous Intensity	I_v	$I_F=20mA$	-	1500	-	mcd
Chromaticity Coordinate*	x	$I_F=20mA$	-	0.30	-	
	y	$I_F=20mA$	-	0.31	-	
50% Power Angle	$2\theta_{1/2}$	$I_F=20mA$	-	60	-	deg

*Please refer to CIE 1931 chromaticity diagram.

LED & Application Technologies