

<b>15*15mm (0.6 inch) Light Bar</b>
<b>OSX40601-AX</b>
<b>OSX40601-BX</b>

■ **Features**

- 0.6x0.6 Inch light bar
- Long lifetime operation
- IC compatible
- Low power dissipation

■ **Applications**





- Home appliances
- Digital readout displays

■ **Absolute Maximum Rating (Ta=25°C)**

Item	Symbol	Value	Unit
DC Forward Current	I <sub>F</sub>	30	mA
Pulse Forward Current#	I <sub>FP</sub>	100	mA
Reverse Voltage	V <sub>R</sub>	5	V
Power Dissipation	P <sub>t</sub>	75	mW
Operating Temperature	Topr	-30 ~ +70	°C
Storage Temperature	Tstg	-40~ +85	°C
Lead Soldering Temperature(1.6mm from seating plane)	Tsol	260°C/5sec	°C

#Pulse width Max.10ms Duty ratio max 1/10

■ **Electrical -Optical Characteristics (Ta=25°C)**

Part Number	Color	V <sub>F</sub> (V)*			I <sub>R</sub> (μA)	I <sub>v</sub> (mcd)*			λD(nm)*			50% Power Angle
		Min.	Typ.	Max.	Max.	Min.	Typ.	Max.	Min.	Typ.	Max.	Typ.
		I <sub>F</sub> =20mA			V <sub>R</sub> =5V	I <sub>F</sub> =20mA			I <sub>F</sub> =20mA			
OSX40601-A(B)YG	Yellow Green 	1.8	2.1	2.5	20	25	35	-	565	570	575	120
OSX40601-A(B)Y	Yellow 	1.8	2.1	2.5	20	50	60	-	585	590	595	120
OSX40601-A(B)O	Orange 	1.8	2.1	2.5	20	60	80	-	600	605	610	120
OSX40601-A(B)R	Red 	1.8	2.1	2.5	20	40	60	-	630	640	650	120

\*1 Tolerance of measurements of dominant wavelength is ±1nm

\*2 Tolerance of measurements of luminous intensity is ±15%

\*3 Tolerance of measurements of forward voltage is ±0.1V

<b>15*15mm (0.6 inch) Light Bar</b>
<b>OSX40601-AX</b>
<b>OSX40601-BX</b>

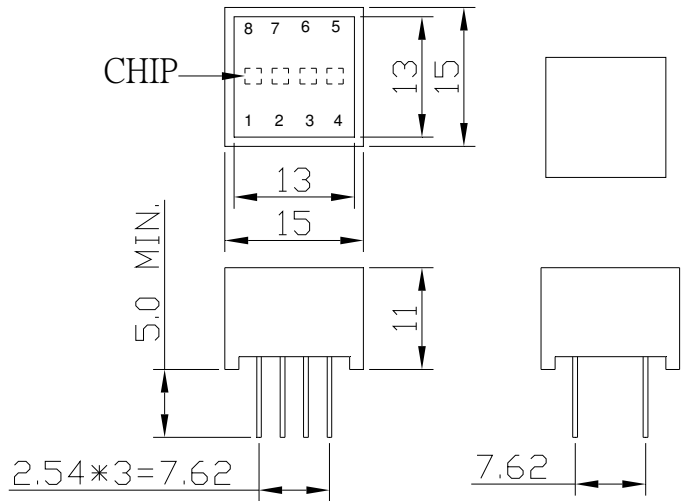
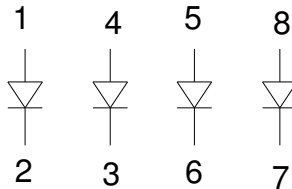
■ Package Dimensions and Pin Function

**OSX40601-AX**

Note:

1, Unit : mm ( Tolerance: ±0.25mm unless otherwise noted)

2, The slope angle of any PIN may be ±5.0° Max



**OSX40601-BX**

Note:

1, Unit : mm ( Tolerance: ±0.25mm unless otherwise noted)

2, The slope angle of any PIN may be ±5.0° Max

