

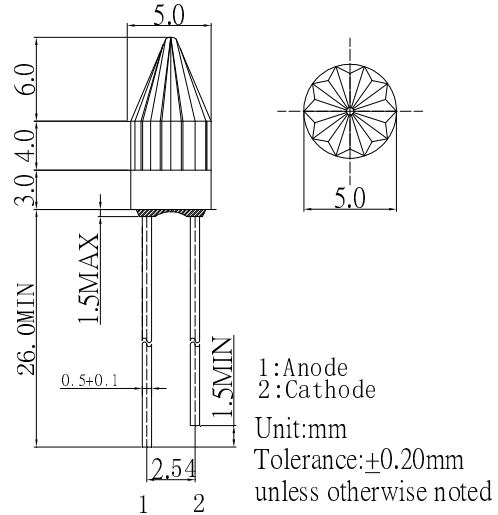
### ■ Features

- High Luminous LEDs
- 5mm Rocket Standard Directivity
- Superior Weather-resistance
- Candle Lighting Flashing Type

### ■ Applications

- Toys
- Games
- Audio
- Other Lighting

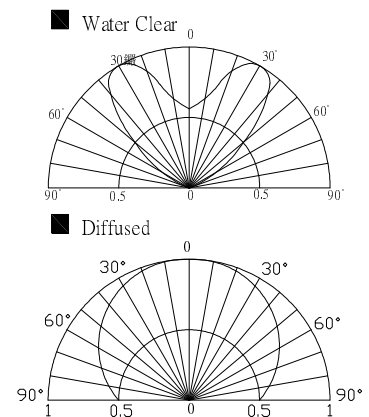
### ■ Outline Dimension



### ■ Absolute Maximum Rating (Ta=25°C)

Item	Symbol	Value	Unit
Power Supply	Voltage	5.0	V
Operating Temperature	Topr	-30 ~ +85	°C
Storage Temperature	Tstg	-40~ +100	°C
Lead Soldering Temperature	Tsol	260°C/5sec	-

### ■ Directivity



\*Pulse width Max.10ms Duty ratio max 1/10

### ■ Electrical -Optical Characteristics (Ta=25°C)

Part Number	Color			V <sub>F</sub> (V)			I <sub>v</sub> (mcd)*			CCT(K)/λD(nm)*			2θ <sub>1/2</sub> (deg)
				Min.	Typ.	Max.	Typ.	Typ.	Max.	Min.	Typ.	Max.	Typ.
				I <sub>F</sub> =20mA			I <sub>F</sub> =20mA						
OS2MDK58A1B	Warm White	M	■	2.5	3.3	5.0	500	750	-	2000-2400K(X:0.51,Y:0.41)			100
OS2MDK58K2B	Warm White	M	■	2.5	3.3	5.0	220	330	-	2000-2400K(X:0.51,Y:0.41)			180
OSY5MK58A1B	Yellow	Y	■	2.5	3.3	5.0	750	1120	-	585	590	595	100
OSY5MK58K2B	Yellow	Y	■	2.5	3.3	5.0	220	330	-	585	590	595	180

\*1 Tolerance of measurements of Chromaticity coordinates is ±10%

\*2 Tolerance of measurements of Dominant wavelength is ±1nm

\*3 Tolerance of measurements of luminous intensity is ±15%

\*4 Tolerance of measurements of forward voltage is ±0.1V

\*5 Tolerance of measurements of Frequency is ±20%