



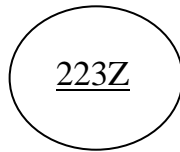
SUPERTECH ELECTRONIC CO., LTD.

DISC CERAMIC CAPACITOR

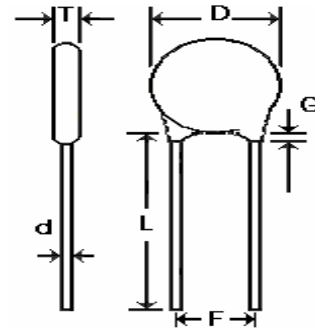
Part No. : RDDF223Z1H5L1

MECHANICAL :

Thickness (T) : 3 mm Max.
 Lead Diameter : 0.52 mm ± 0.05 mm
 Soldering Test : 250 °C ± 5 °C
 Pulling Test : 2 KG
 Marking :



CP Wire



ELECTRICAL :

Capacitance : 0.022UF
 Capacitance Tolerance : + 80 - 20 %
 Q or DF : 0.05 Max.

External Dimensions (D)	7mm ± 1mm
Lead Spacing (F)	5mm ± 0.8mm
Thickness (T)	3mm Max.
Lead Length (L)	25mm ± 3mm
Lead Diameter (d)	0.52mm ± 0.05mm
Lead Coating (G)	1.5mm Max.

Insulation Resistance : ≥ 10000MΩ
 Working Voltage : 50 V DC
 Dielectric Withstanding : 125 V DC for 1~5 sec

Temperature Characteristic :

According to EIA Y5V The Capacitance change of + 22 - 82 %
 between the temperature range of - 25 °C ~ + 85 °C

TESTING INSTRUMENTS :

1 . TEMPERATURE COMPENSATING TYPE : hp 4278A

2 . HIGH DIELECTRIC TYPE : hp 4265A

TESTING CONDITIONS :

Testing Frequency : 1MHz

Testing Voltage : 1.0Vrms

* Remarks: Withstand voltage below 100VDC, all need to comply with the manufacturing specifications of Coating's non-leakable silver electrode

DATE : 2021/5/14
APPROVER : Sally Hsu