

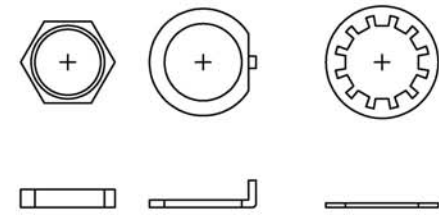
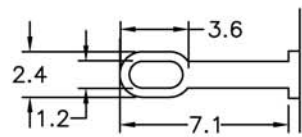
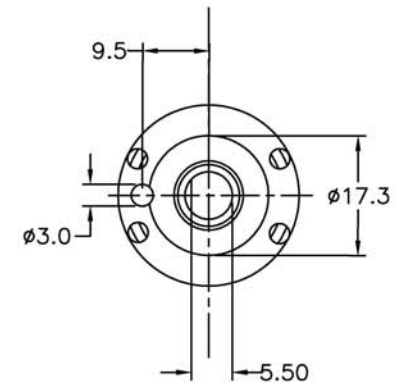
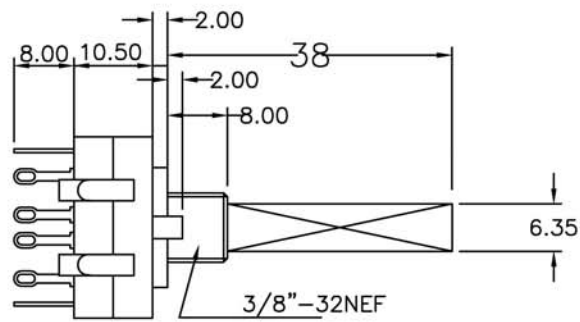
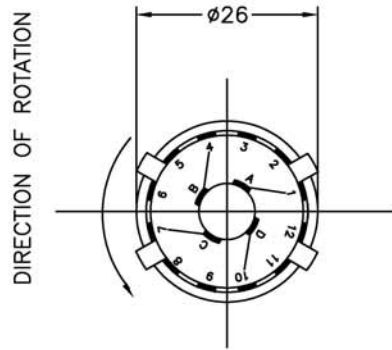
Specifications

Contact Rating :AC125V 0.3A.
 Insulation Resistance :DC500V-100 Mega Ohms Min.
 Withstand Voltage :AC500V at 1 minute.
 Rotation Torque :0.5±0.2 Kg-cm.
 Timing: Non-Shorting.

Note: 1.Tolerance unless otherwise specified:±0.4mm.
 2.Accessory parts : 3/8"Hexagon nut one piece & lockwasher one piece.

COSLAND COSLAND CO.,LTD.
 Tel :02-2745 8908. Fax :886-2-2765 3456.

符號	原尺寸	修改後尺寸	變更日期	SCALE (比例): 2 : 1	TITLE 圖名	ROTARY SWITCH		SIZE 圖紙	A4	
1	(A)			TOLERANCE (公差): 0.00 mm ± 0.25mm 0.0 mm ± 0.40mm ANGULAR : ± 2.54 mm FILE NAME : 52183	DWG NO. 圖號	RS 2688-0206-38N		UNIT 單位	inch mm	
2	(B)				REV. 版本	A	DATA 日期	MAR - 09 - 2000	SHEET 張數	1 of 1
3	(C)				CHECKED BY 審核	DRAWN BY 製圖			BOBO	
4	(D)									
5	(E)									



Specifications

- Contact Rating :AC125V 0.3A.
- Insulation Resistance :DC500V-100 Mega Ohms Min.
- Withstand Voltage :AC500V at 1 minute.
- Rotation Torque :0.5±0.2 Kg-cm.
- Timing: Non-Shorting.

Note: 1.Tolerance unless otherwise specified:±0.4mm.
 2.Accessory parts : 3/8 Hexagon nut one piece & lockwasher one piece.

COSLAND COSLAND CO.,LTD.
 Tel :02-2745 8908. Fax :886-2-2765 3456.

符號	原尺寸	修改後尺寸	變更日期
1 (A)			
2 (B)			
3 (C)			
4 (D)			
5 (E)			

SCALE (比例): 2 : 1
 TOLERANCE (公差):
 0.00 mm ± 0.25mm
 0.0 mm ± 0.40mm
 ANGULAR : ± 2.54 mm
 FILE NAME : 52183

TITLE 圖名	ROTARY SWITCH		SIZE 圖紙	A4
DWG NO. 圖號	RS 2688-0403-38N		UNIT 單位	inch mm
REV. 版本	A	DATA 日期	MAR - 09 - 2000	SHEET 張數
CHECKED BY 審核	DRAWN BY 製圖		BOBO	



RS-2688 SPECIFICATION	Document No	RS-2688	REV : D
	2	1	RoHS

1. TEST CONDITIONS

Standard test conditions shall be 5-35°C in temperature and 45-85% RH in humidity.

Should any doubt arise in judgment test shall be conducted at 20±2°C and 65±5% RH.

2. OUTSIDE DIMENSION

Append drawing.

3. MECHANICAL PERFORMANCE

Item	Test Condition	Specification
3.1 Operating force	Operation temperature:-10°C ~ +70°C Storage temperature:-40°C ~ +85°C	0.5±0.2kgf-cm
3.2 Control strength	A static load of 1000gf-cm shall be applied in the operating direction and tensile direction of the unit for one minute.	N/A
3.3 Terminal strength	A static load of 1000gf-cm shall be applied to the tip of the terminal in a desired direction for one minute. The number of tests shall be one per terminal.	N/A
3.4 Control wobble	Shall be measured by applying a static load of 100gf-cm to the tip of control unit.	Less than 1 mm
3.5 Soldering	Regarding preheating, the entire flow duration should not exceed 2 minutes, and soldering surface temperature (undersurface of PCB) shall be settled within 100°C. Temperature of solder 260±5°C Duration of dipping 4±0.5 seconds	More than 90% of the dipped part shall be covered by solder
3.6 Soldering heat resistance	Flow soldering condition: to be performed in 4±0.5 seconds within 260±5°C Manual soldering condition: to be performed in 3±0.5 seconds Max within 350±5°C	No abnormalities shall be observed in appearance and operation shall be assured.
3.7 Shaft stopper strength:	N/A	More than 5kg-cm
3.8 Bushing mount strength:	N/A	5kg-cm min



RS-2688 SPECIFICATION	Document No	RS-2688	REV : D
	2	2	RoHS

4. ELECTRICAL PERFORMANCE

Item	Test Condition	Requirement
4.1 Rating	N/A	AC125V 0.3A
4.2 Contact resistance	Shall be measured at 1KHz±200Hz (Max 20mV, Max 50mA) or 5V DC, 1A by a voltage drop method	Less than 50mΩ
4.3 Insulation resistance	Shall be measured by applying 500V DC, between all terminals and between the terminal and the frame for 1 minute ± 5 seconds	More than 100MΩ
4.4 Withstand voltage	500V AC (50~60Hz, 2mA) Shall be applied between all terminals and between the terminal and frame for one minute	N/A

5. DURABILITY

5.1 Operating life under no load	10,000 cycles of operation shall be performed continuously at a rate of 15-20 cycles per minute without load. After operating life test, shall be in accordance with the following specifications.	Contact resistance: less than 80mΩ Insulation resistance: more than 50MΩ Withstand Voltage: 250V AC per one minute Operating force: less than +10%,-30% for initial operating force
5.2 Operating life under load	10,000 cycles of operation shall be performed continuously at a rate of 15-20 cycles per minute with resistive load of 125V AC, 0.3A After operating life test , shall be in accordance with the following specifications.	Contact resistance : less than 100mΩ Other specifications are the same as operating life under no load.

6. NOTE

Terminals top side is covered by flux resist resin.