

## FRESNEL LENS



Fresnel lens arrays designed for Passive Infrared Sensor. The optical surface increases lens sensitivity for PIR sensor application.

Model:S9001

[參考資料]

### Specification:

Overall size:12.7mm

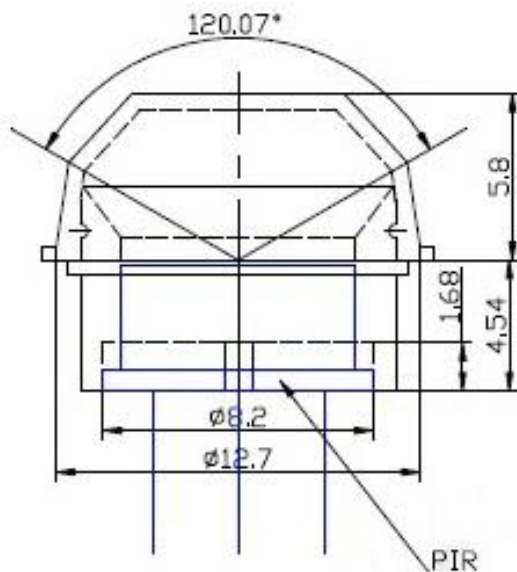
Focal length: 6mm

Detectable distance: 5m

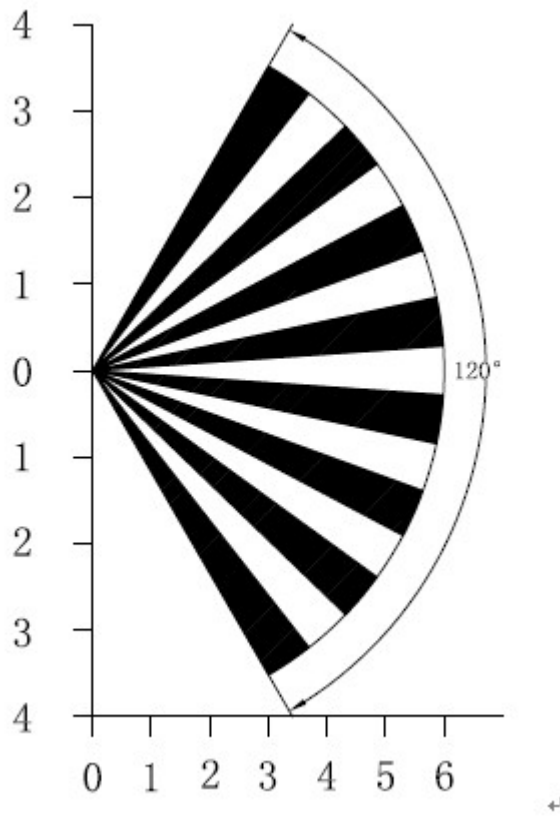
Viewing angle: 100°

Material:HDPE

### Dimension (Unit=mm)



**Detecting Area(Unit=Meter)**



[参考資料]