



KAM

PRODUCT SPECIFICATION / APPROVAL SHEET

CUSTOMER:	
PART №:	SE-5R5-D105VY

<p>Please confirm your acceptance of this approval sheet by return fax.</p> <p>CONFIRMATION SIGNATURE</p>	<p>JINZHOU KAIMEI POWER CO.,LTD TECHNOLOGY DEPARTMENT ADDRESS:27# Rain Street High Technology District Jinzhou City Tel:0416-2665722 Fax:0416-3886367</p>									
	<table border="1"><tr><td>Spec</td><td></td></tr><tr><td>Issue Date</td><td>2010-6</td></tr><tr><td>Edition</td><td>No.1</td></tr><tr><td>Revised Date</td><td></td></tr></table>			Spec		Issue Date	2010-6	Edition	No.1	Revised Date
Spec										
Issue Date	2010-6									
Edition	No.1									
Revised Date										
	<table border="1"><tr><th>DRAW</th><th>EDAM</th><th>APPR</th></tr><tr><td></td><td></td><td></td></tr></table>	DRAW	EDAM	APPR						
DRAW	EDAM	APPR								

PRODUCT SPECIFICATION / APPROVAL SHEET

1. General Specification

Item		Specification/Condition
01	Part	SE-5R5-D105VY
02	Rate discharge capacitance (F 25°C ΔV=3V-2.5V I=0.01A)	1.0
03	Capacitance tolerance	-20%~+80%
04	Rated Voltage U ₀ (V)	5.5
05	Operating temperature range	-25°C~70°C
06	MAX.ESR(Ω 1KHz)	10
07	Dimension(mm ΦD×L)	20.7(±0.3)×7.5(±0.5)
08	Down-lead diameter(mm ϕ)	6.0±0.5
09	Cycle life Expectancy	After nominal voltage,100,000 times charge-discharge circle ΔC/C ≤30% of the initial value ,ESR≤4 times of the specified value(25°C).

2. Environmental Specification

Item		Specification/Condition
01	Temperature characteristics	+70°C, ΔC/C ≤30% of the initial value, ESR≤specified value (25°C) -25°C, ΔC/C ≤50% of the initial value, ESR≤4 times of specified value (25°C)
02	High temperature load characteristics	After +70°C±2,nominal voltage, 1000h, ΔC/C ≤30% of the initial value, ESR≤4 times of specified value (25°C)。
03	High temperature without load characteristics	+70°C±2, 1000h±4, ΔC/C ≤30% of the initial value, ESR≤2times of specified value (25°C)
04	Humidity Resistance	After +40°C±2, 90--95%RH, 240h, ΔC/C ≤30% of the initial measured value, IL≤2 times of specified value (25°C) ,ESR≤4 times of specified value (25°C)。

3. KAM MARK



① ② ③

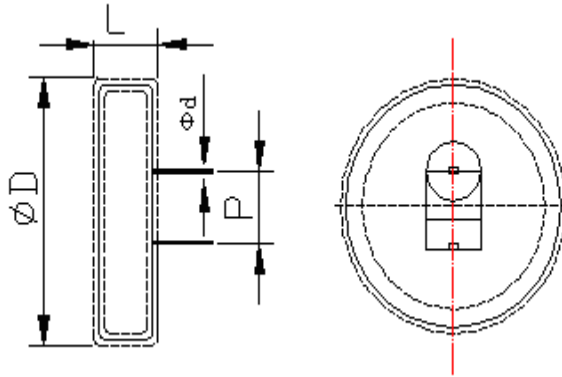
- ① Cathode sign
- ② Rated capacitance and rated voltage
- ③ KAM Brand

4. KAM type

- -

Series code Rated voltage Structure type Rated Capacitance Lead mode Additional sign
Capacitance Tolerance

5. Figure and Dimension



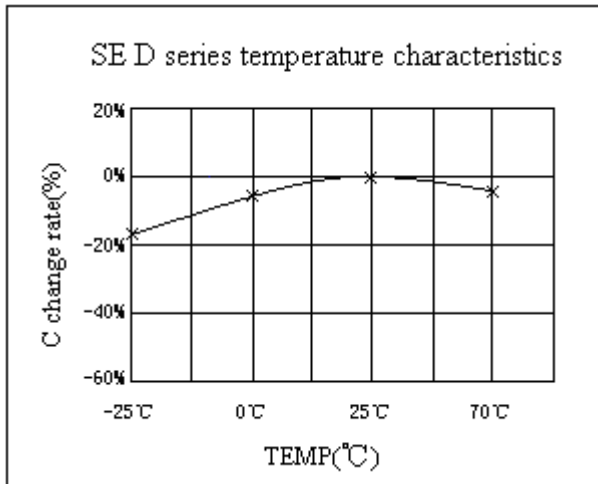
6. Packaging

TYPE	QUANTITY(PCS)			Dimension (L×W×H)mm		Weight (Kg)
	/layer	/ Inner	/ Outer	Inner	Outer	
SE-5R5-D105VY	32	192	768	270×195×95	415×295×210	7.81

7. Test result

KAMCAP temperature and life characteristics test

(1)、Temperature characteristics



(2)、Life characteristics

