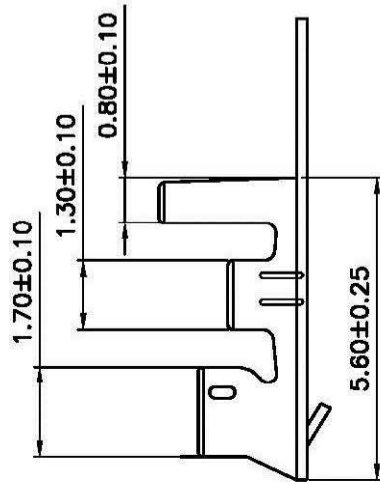
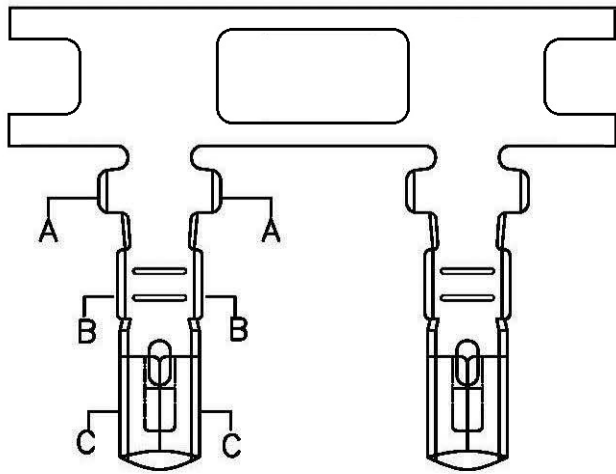


1 2 3 4 5 6 7 8 9 10

A
B
C
D
E
F
G
H

A
B
C
D
E
F
G
H

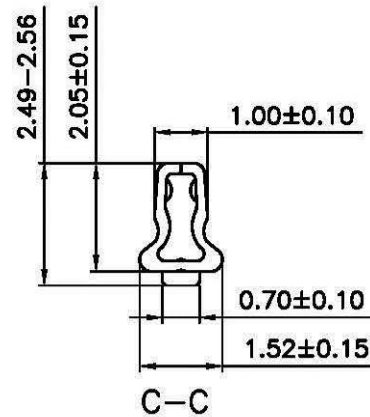
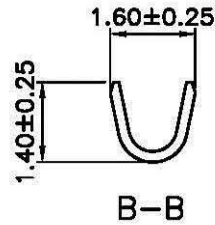
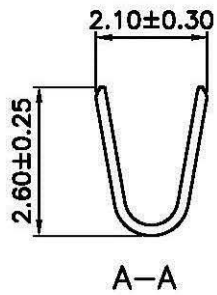


SPECIFICATIONS

Voltage Rating: 100V AC/DC
 Current Rating: 2A AC/DC
 Withstanding Voltage: 800V AC/minute
 Insulation Resistance: 1,000MΩ min.
 Temperature Range: -25° C - +85° C
 Contact Resistance: 20mΩ max

TERMINAL

Wire Range: AWG#22-#28 (OD1.5mm)
 Material: Phos. Bronze
 Finish: Tin Plated
 Thickness: 0.2mm
 Q'TY: 10,000PCS/Reel



						OPERATION	DRAW			SCALE		Chang Enn Co., Ltd.	
						~ 10 ±0.15	DESIGN			UNIT	mm		
						20 ~ 30 ±0.30	CHECK			SIZE	A4		
0			NEW			30 ~ ±0.50	APPROVE			SHEET	1/1	PART NO.	SPH-002T-P0.5LC
REV	DATE	MODIFICATION DESCRIPTION			CHANGE	APPROVE	APPROVE			PROJ.	◆	DRAWING NO.	

1 2 3 4 5 6 7 8 9 10