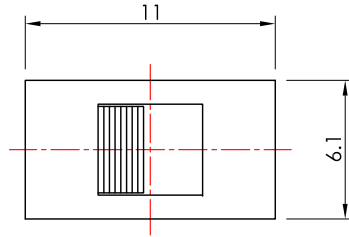
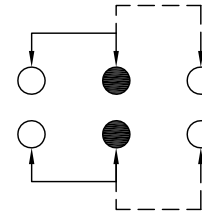


\*開關產品未經SWITRONIC同意，請勿拆解，否則無法負品質及安全責任。  
 Please do not decompose the switch without any permission from SWITRONIC,  
 otherwise the quality and safety responsibility could not be guaranteed.  
 \*本圖面若與目錄之規格尺寸不符，以本圖面規格尺寸為主。  
 Below is our main specification if different from catalog.

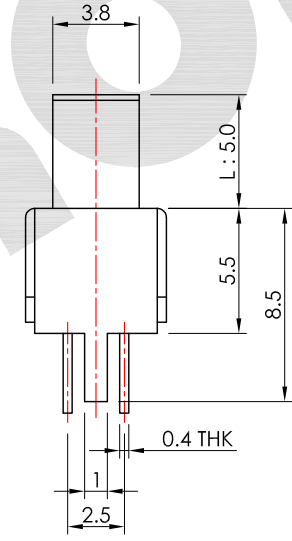
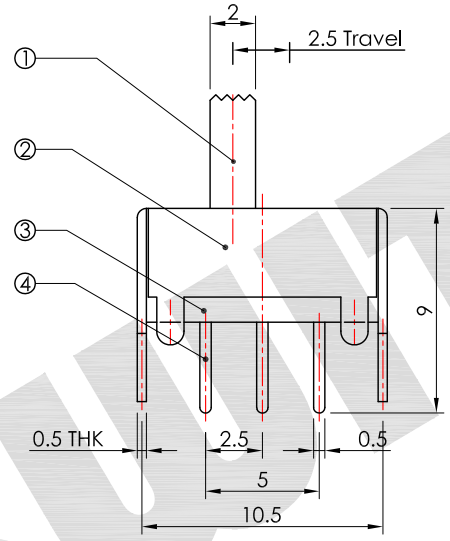
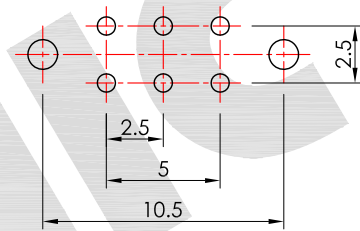
RoHS compliant



SCHEMATIC



P.C.B. LAYOUT



RoHS compliant

SS22E01GX-HA-G

OPTIONAL KNOB SIZE (L)  
2 - 10

**SPECIFICATION**

**Rating:** 0.5A 50V DC.  
**Circuit:** DPDT.  
**Function:** ON-ON.  
**Timing:** Non-Shorting.  
**Contact resistance:** 30mΩ Max.(initial)  
**Insulation resistance:** 100MΩ Min. at 500V DC.  
**Withstand voltage:** 500V AC for 1 minute.  
**Operating force:** 250±100g.  
**Minimum load:** 30mA 10V DC.  
**Life:** 10,000 Cycles.(unloading / 15-18 cycles per minute)  
**Soldering temperature:** 230°C Max. for 3 seconds.  
**Soldering time:** 1 time only.  
**Note1:** Unwashable, don't be immersed by epoxy and organic solvent.  
**Note2:** Please do not scale the drawing comparing to real product and kindly measure the size of real product.

**MATERIAL**

**Knob:** POM, black. ①  
**Frame:** Steel strip, Ni plated. ②  
**Base:** Phenolic resin, orange. ③  
**Terminal:** Brass strip, Ag plated over Ni plated. ④  
**Contact clip:** Copper strip, Ag plated.  
**Spring:** Steel wire, temper.

**STORAGE METHOD**

After opening the bag of the switches, please include a desiccant into the bag, then seal it to avoid product oxidation.  
 打開包裝袋後，請在袋中加入乾燥劑並「密封」，避免產品氧化。



V2.0	無	新繪製	2015.12.07
版本 VER.	符號 SYMBOL	修改內容 ALTERATION	更新日期 DATE

產品 PRODUCT	Slide Switch		型號 MODEL NO.	SS22E01G5-HA-G
製圖 DRAWN BY	核圖 CHECKED BY	主管 APPROVED BY	單位 UNIT	mm
Allen Liao	Chuck Young	Margaret Lee	比例 SCALE	3 : 1
			公差 TOLERANCE	.X=±0.3mm, .XX=±0.2mm

**SWITRONIC**<sup>®</sup>  
INDUSTRIAL CORP.  
**Switches**



一綺電子企業股份有限公司

總公司：110 台北市信義路四段415號13樓之3  
 13F-3, NO.415, SEC.4, HSIN YI ROAD, TAIPEI, TAIWAN  
 TEL : 886-2-27290229(Rep.) FAX : 886-2-27582086  
 URL : www.switronic.com E-MAIL : switches@ms36.hinet.net