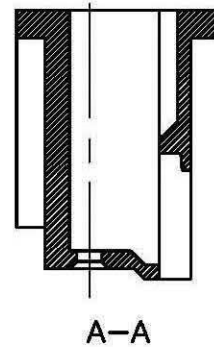
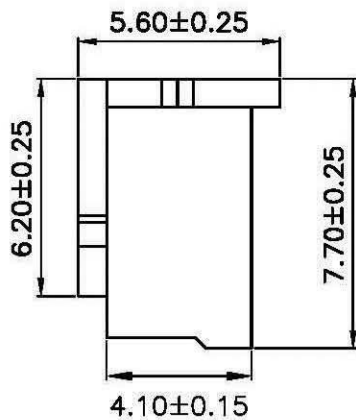
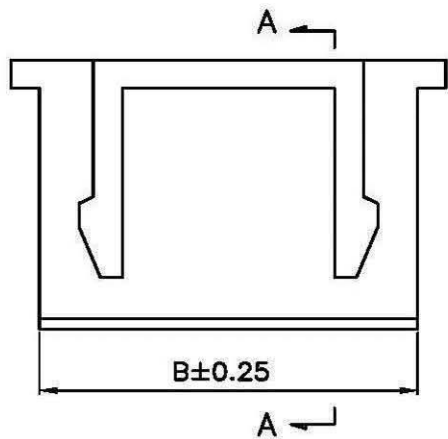
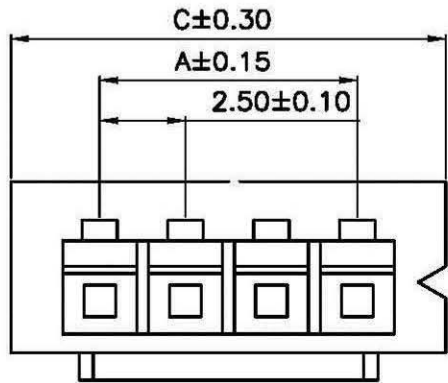


1 2 3 4 5 6 7 8 9 10

A
B
C
D
E
F
G



SPECIFICATIONS

Voltage Rating: 250V AC/DC
 Current Rating: 3A AC/DC
 Withstanding Voltage: 1000V AC/minute
 Insulation Resistance: 1000MΩ min.
 Temperature Range: -25° C - +85° C
 Contact Resistance: 20mΩ max

HOUSING

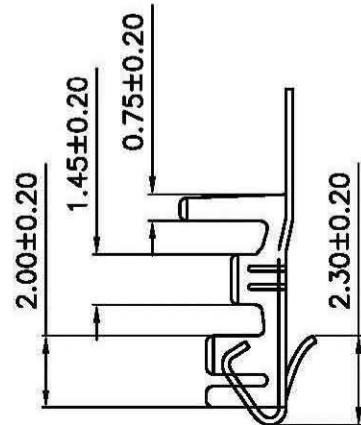
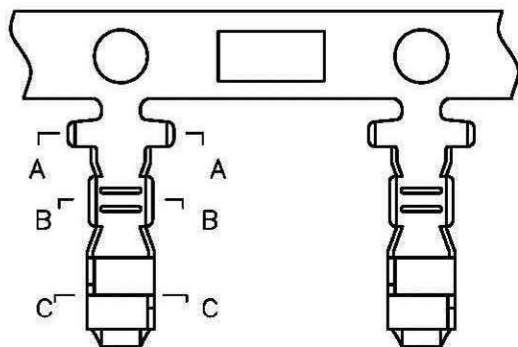
Poles: 2-16
 Material: Nylon 66, UL94V-2

NO	DIMENSION		
	A	B	C
02	2.50	5.70	7.30
03	5.00	8.20	9.80
04	7.50	10.70	12.30
05	10.00	13.20	14.80
06	12.50	15.70	17.30
07	15.00	18.20	19.80
08	17.50	20.70	22.30
09	20.00	23.20	24.80
10	22.50	25.70	27.30
11	25.00	28.20	29.80
12	27.50	30.70	32.30
13	30.00	33.20	34.80
14	32.50	35.70	37.30
15	35.00	38.20	39.80
16	37.50	40.70	42.30

						OPERATION	DRAW			SCALE			
						~ 10 ±0.15	DESIGN			UNIT	mm		
						20 ~ 30 ±0.30	CHECK			SIZE	A4		
						30 ~ ±0.50	APPROVE			SHEET	1/1		PART NO.
0						Angle ± 2'				PROJ.	↔	DRAWING NO.	
REV	DATE	MODIFICATION DESCRIPTION	CHANGE	APPROVE		DM	TOL						

1 2 3 4 5 6 7 8 9 10

A
B
C
D
E
F
G

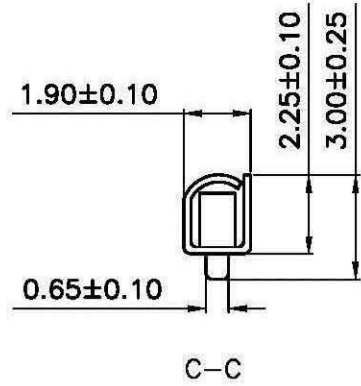
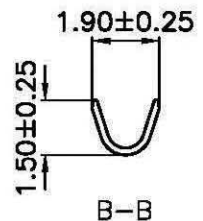
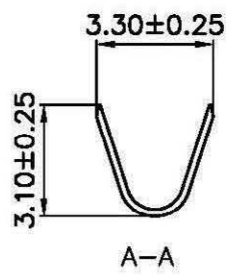


SPECIFICATIONS

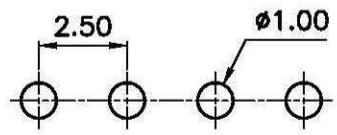
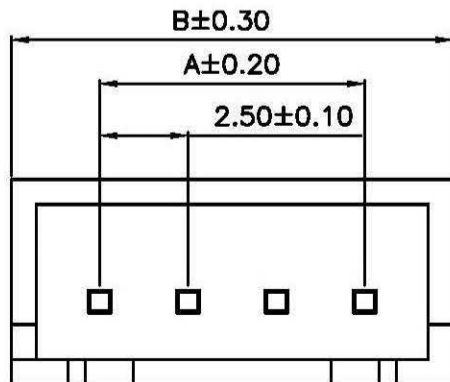
Voltage Rating: 250V AC/DC
 Current Rating: 3A AC/DC
 Withstanding Voltage: 1000V AC/minute
 Insulation Resistance: 1000MΩ min.
 Temperature Range: -25° C - +85° C
 Contact Resistance: 20mΩ max

TERMINAL

Wire Range: AWG#22-#28 (OD1.9mm)
 Material: Phos. Bronze
 Finish: Tin Plated
 Thickness: 0.2mm



						OPERATION	DRAW			SCALE	Chang Enn Co., Ltd.
						~ 10 ±0.15	DESIGN			UNIT mm	
						20 ~ 30 ±0.30	CHECK			SIZE A4	
						30 ~ ±0.50	APPROVE			SHEET 1/1	
0		NEW				Angle ± 2'				PART NO.	SXH-001T-P0.6
REV	DATE	MODIFICATION DESCRIPTION	CHANGE	APPROVE		DM TOL	APPROVE			DRAWING NO.	



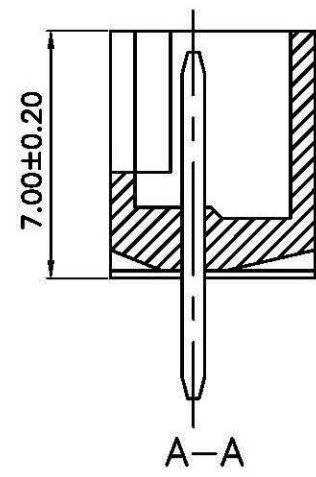
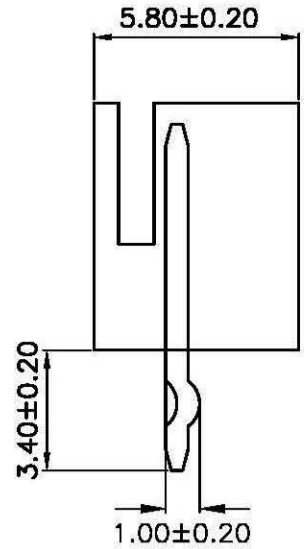
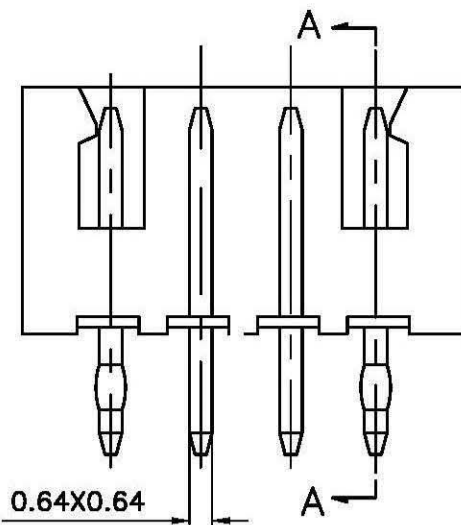
PCB LAYOUT

SPECIFICATIONS

Voltage Rating: 250V AC/DC
 Current Rating: 3A AC/DC
 Withstanding Voltage: 1000V AC/minute
 Insulation Resistance: 1000MΩ min.
 Temperature Range: -25° C - +85° C
 Contact Resistance: 20mΩ max

WAFER

Poles: 2-16
 Material: Nylon 66, UL94V-2
 Pin: Brass, Tin plated



NO	DIMENSION	
	A	B
02	2.50	7.50
03	5.00	10.00
04	7.50	12.50
05	10.00	15.00
06	12.50	17.50
07	15.00	20.00
08	17.50	22.50
09	20.00	25.00
10	22.50	27.50
11	25.00	30.00
12	27.50	32.50
13	30.00	35.00
14	32.50	37.50
15	35.00	40.00
16	37.50	42.50

					OPERATION	DRAW		SCALE	
					~ 10 ±0.15	DESIGN		UNIT mm	
					20 ~ 30 ±0.30	CHECK		SIZE A4	
					30 ~ ±0.50	APPROVE		SHEET 1/1	
0		NEW			Angle ± 2'			PART NO.	BxxB-SXH/SG
REV	DATE	MODIFICATION DESCRIPTION	CHANGE	APPROVE	DM	TOL	APPROVE	PROJ.	DRAWING NO.