

# SPECIFICATION FOR APPROVAL

CUSTOMER \_\_\_\_\_

PART NAME **Mica Capacitor** \_\_\_\_\_

SPEC TS23 1pF 50V +/-0.5pF DM5 Bulk RoHS \_\_\_\_\_

PART NO \_\_\_\_\_

DATE 2020-12-16 \_\_\_\_\_

CUSTOMER APPROVE

|                  |
|------------------|
| CUSTOMER APPROVE |
|                  |

DRAWING

| PREPARED | CHECKED | APPROVED |
|----------|---------|----------|
|          |         |          |

***Suntan***® Technology Company Limited

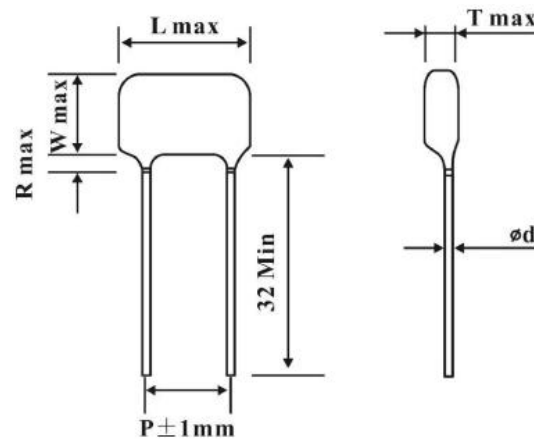
Unit H, 4/F., Dormind Industrial Building , 13 Yip Fung Street, Fanling, N. T., Hong Kong.

[http:// www.suntan.com.hk](http://www.suntan.com.hk) E-mail : [info@suntan.com.hk](mailto:info@suntan.com.hk)

Tel : (852) 8202 8782

Fax : (852) 8208 6246

## Outline Drawing



## Dimensions

(mm)

| TYPE     | CAP | W.V. | Tol.     | L   | W   | T   | P+/-1 | D+/-0.06 |
|----------|-----|------|----------|-----|-----|-----|-------|----------|
| TS23 DM5 | 1pF | 50V  | +/-0.5pF | 7.5 | 7.5 | 5.5 | 3     | 0.4      |

## Specifications

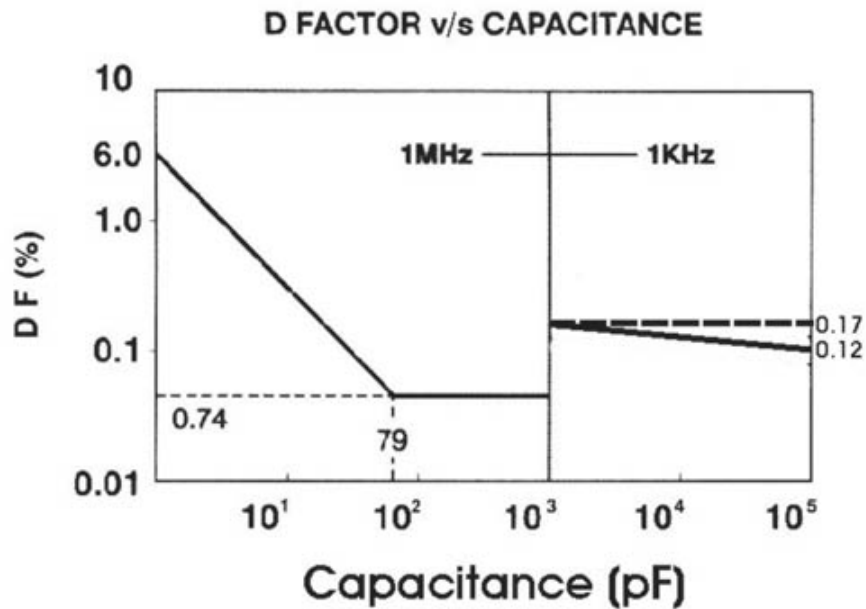
|                       |  |
|-----------------------|--|
| Withstanding Voltage  | 200% of rated Voltage for 1 to 5 seconds with surge current not exceeding 50 mA. |
| Insulation resistance | >100,000 megohms at 100 VDC  |
| Tangent delta         | AS PER FIG 1   |
| TEMP. COEFF.          | 'C' as per TABLE 1   |
| TEMP. RANGE           | - 55 °C to +125 °C   |
| Lead wire             | Copper clad steel wire plated with tin   |

**Suntan® Technology Company Limited**

Unit H, 4/F., Dormind Industrial Building , 13 Yip Fung Street, Fanling, N. T., Hong Kong.

[http:// www.suntan.com.hk](http://www.suntan.com.hk) E-mail : [info@suntan.com.hk](mailto:info@suntan.com.hk)

Tel : (852) 8202 8782 Fax : (852) 8208 6246



**FIG.1**

**TABLE 1. TEMP. CHARACTERISTIC**

|   | TEMP.COEFF.PPM/°C | CAP. DRIFT          |
|---|-------------------|---------------------|
| C | -200 TO + 200     | +/- (0.5% + 0.1 pF) |
| D | -100 TO + 100     | +/- (0.3% + 0.1 pF) |
| E | -20 TO + 100      | +/- (0.1% + 0.1 pF) |
| F | -0 TO + 70        | +/- (0.5% + 0.1 pF) |

***Suntan***® Technology Company Limited

Unit H, 4/F., Dormind Industrial Building , 13 Yip Fung Street, Fanling, N. T., Hong Kong.

http:// www.suntan.com.hk

E-mail : info@suntan.com.hk

Tel : (852) 8202 8782

Fax : (852) 8208 6246