

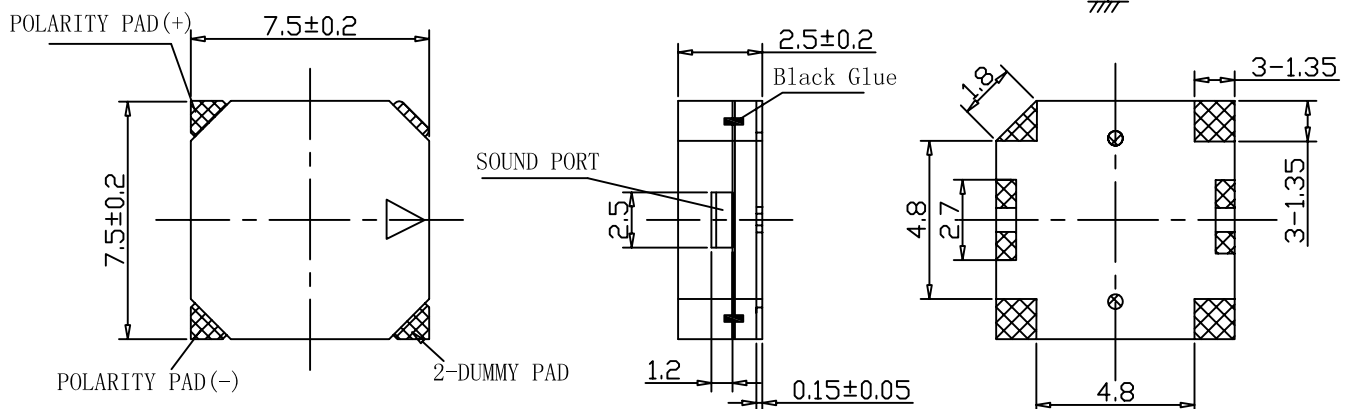
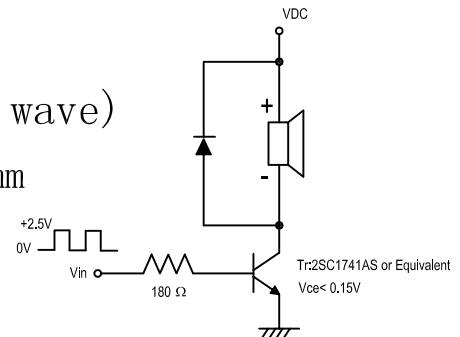
UNIVERSAL (CHANGZHOU) ELECTRONICS CO., LTD SPECIFICATION SHEET

ELECTRICAL SPECIFICATIONS: (STANDARD TEST CONDITION)

Type	Unit	UGCT7525AN4
Rated voltage	V	3.6
Operating Voltage	V	2.5-4.5
*Rated Current (MAX)	mA	100
Min Sound Output at 10 cm	dB	82
Coil Resistance	Ω	15 ± 3
*Resonant Frequency	Hz	2700
Housing Material	LCP	
Operating Temperature	° C	-30 - +70
Storage Temperature	° C	-40 - +85
Weight	g	0.5

*Value Applying at Rated Voltage
(resonant frequency, 1/2 duty, square wave)

DIMENSIONS UNIT:mm Tolerance: ±0.5mm



UNIVERSAL

UGCT7525AN4

Page 1/1

	NAME	DATE			
Drawing by	ZhuYu	15.07.11			
Checked by	ShiCong	15.07.11			
Approved by	WangXueWen	15.07.11			

UNIVERSAL (CHANGZHOU) ELECTRONICS CO., LTD