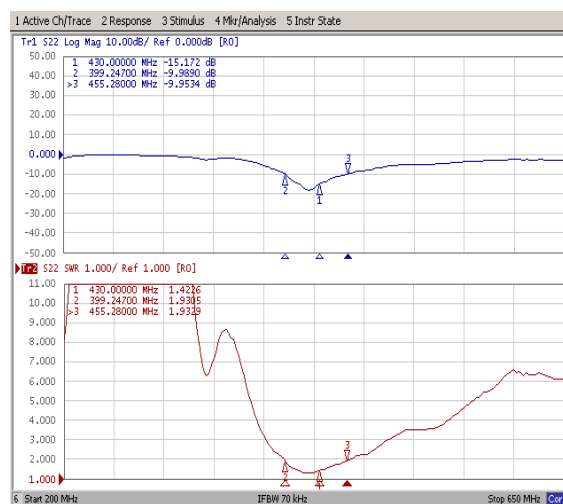
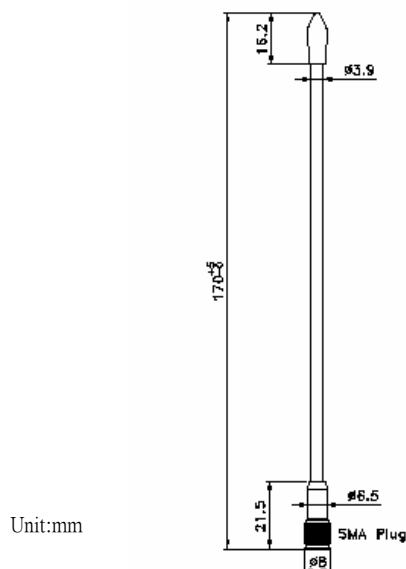


Loaded Replacement Antenna

Omni-directional, for Ham Radio UHF 430MHz

Model. UHX-561XSAXX

Return loss / V.S.W.R



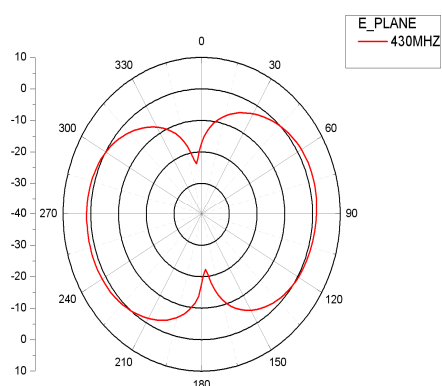
APPLICATIONS

- For Ham Radio 430MHz
- External Indoor/Outdoor Antenna for Walkie Talkie
- 1/4λ Rod Antenna Design

PATTERN

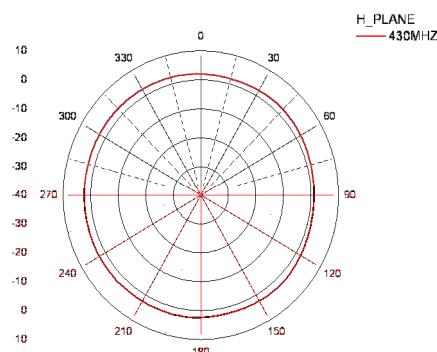
FEATURES

- External Connector Straight Mount
- Easy Installation
- RoHS Compliant



ELECTRICAL SPECIFICATIONS

Frequency	430MHz
Gain	2 dBi
Impedance	50 Ω
S.W.R.	≤ 1.5 @Resonate Freq.
Radiation	Omni-directional
Polarization	Vertical
Bandwidth@vswr2.0	55 MHz



MECHANICAL SPECIFICATIONS

Height	170 mm
Weight	4 g
Radome Material	Steel Rope
Radome Color	Black
Connector	SMA Plug