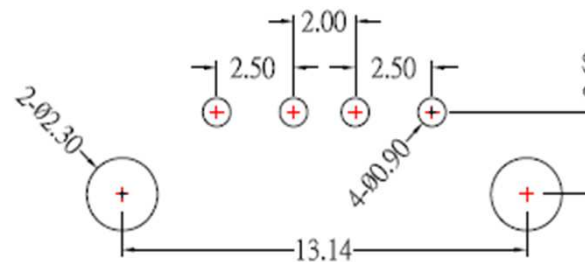
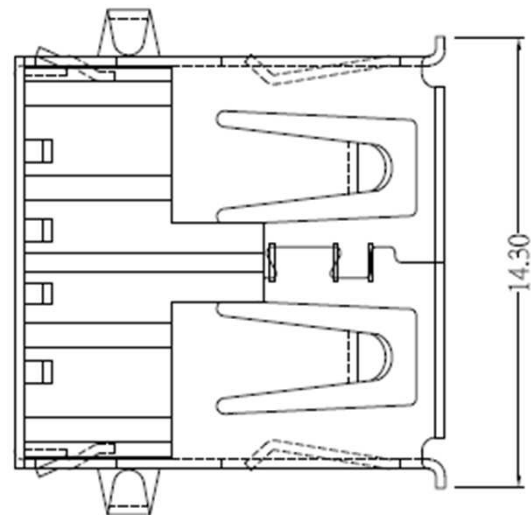
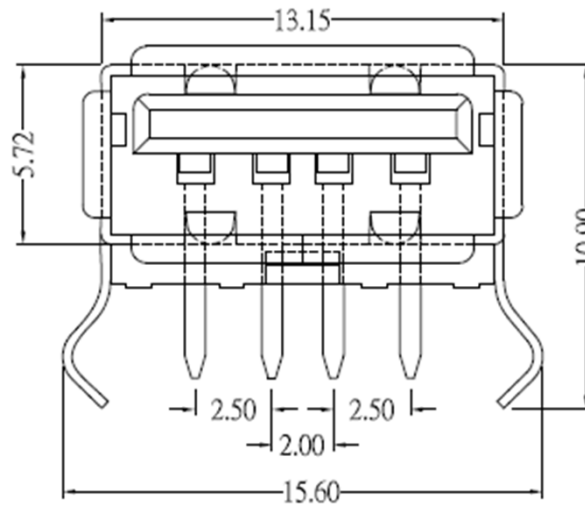
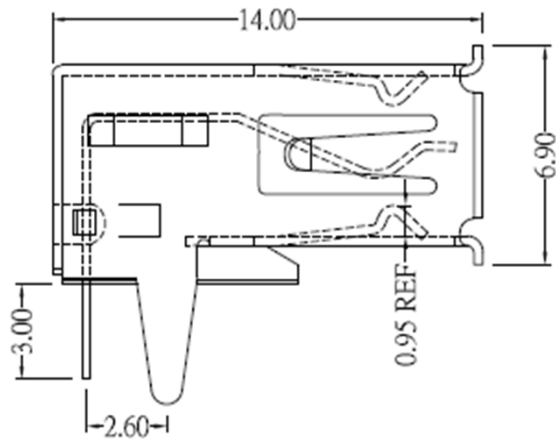


RoHS Compliant



Materials

Housing: High Temperature Thermal Plastics
 UL94V-0, PBT, Black
 Contact : Phosphor Bronze
 Shell: Phosphor Bronze

Finish


Contacts: Gold in mating area, Tin on solder balls
 Nickel under plated overall
 Shell: Nickel plated

Electrical Specifications:

Current rating : 1.5 Amp / contact terminal
 Voltage rating: 30V DC
 Contact resistance : 30m Ω max.
 Withstanding voltage: AC 500V for 1 minute
 Insulation resistance: 1,000 MΩ Min.

Mechanical Specification:

Connector mate and unmate force:
 Mate force - 3.75 kgf (Min.)
 Unmate force - 1.02 kgf (Min.)
 Terminal Retention - 1.2 kgf (Min.)

E				Drawn:	General Tolerance			 Useconn Electronics Ltd.	Part No.
D			Jack Lin	.0	.00	.000	USB-4AF103BS		
C	13-Dec-16	Change design	Jack	Checked:	±0.30	±0.15	±0.10		File No. USB-4AF103BS Rev.C
B	28-Feb-13	change logo	David	Ivy Lee	Unit : mm				
A	21-Apr-07	new release	Jack	Appraisal:	Scale :				
Rev.	Date	File	BY	Simon Chen	Sheet : 1/1			Title: USB 4P A type Female Single Deck, Right Angle, White Insulator	