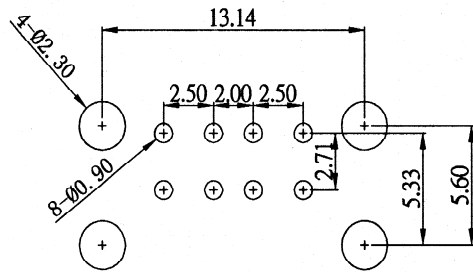
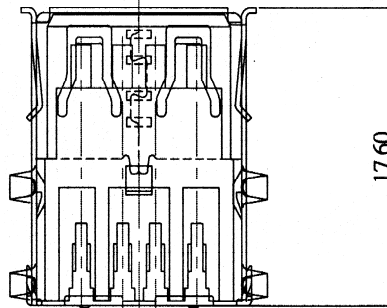
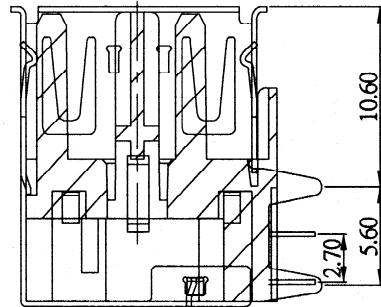


**Materials & Finish**

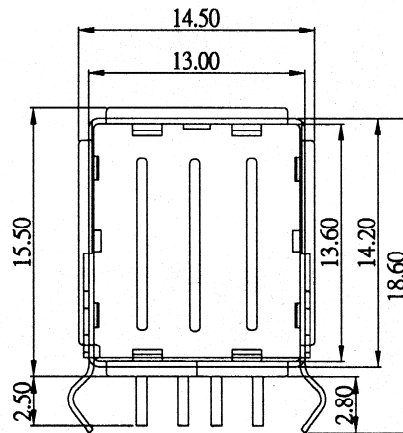
Insulator: PBT, UL 94V-0  
 Contact: Phosphor Bronze  
 Gold in Mating area, Tin plated on solder ball,  
 Nickel under plated overall  
 Shell: Brass/SPCC, Nickel under plated surface layer


**Specification**

Current rating : 1.5 A max.  
 Voltage rating: 30V max.  
 Insulation resistance : 1,000M  $\Omega$  min.  
 Contact resistance : 30m  $\Omega$  max.  
 Withstanding voltage: AC 750V AC  
 Operating Temperature : - 40°C ~ + 105°C



P.C.B LAYOUT MOUNTING PATTERN



E				Drawn:	General Tolerance			 <b>Useconn Electronics Ltd.</b>	Part No.
D				Checked:	.0	.00	.000		<b>USB-4AF203AS</b>
C	5-Aug-15	Dimension			±0.30	±0.20	±0.10	File No. CT-USB-4AF203AS	
B	5-Feb-15	Change version			Unit : mm				
A	21-Apr-07	new release		Appraisal:	Scale :			Title: USB Connector, A type Female, Dual Port	
Rev.	Date	File	BY		Sheet : 1/1			4P x 2 Stacked, Right Angle type	