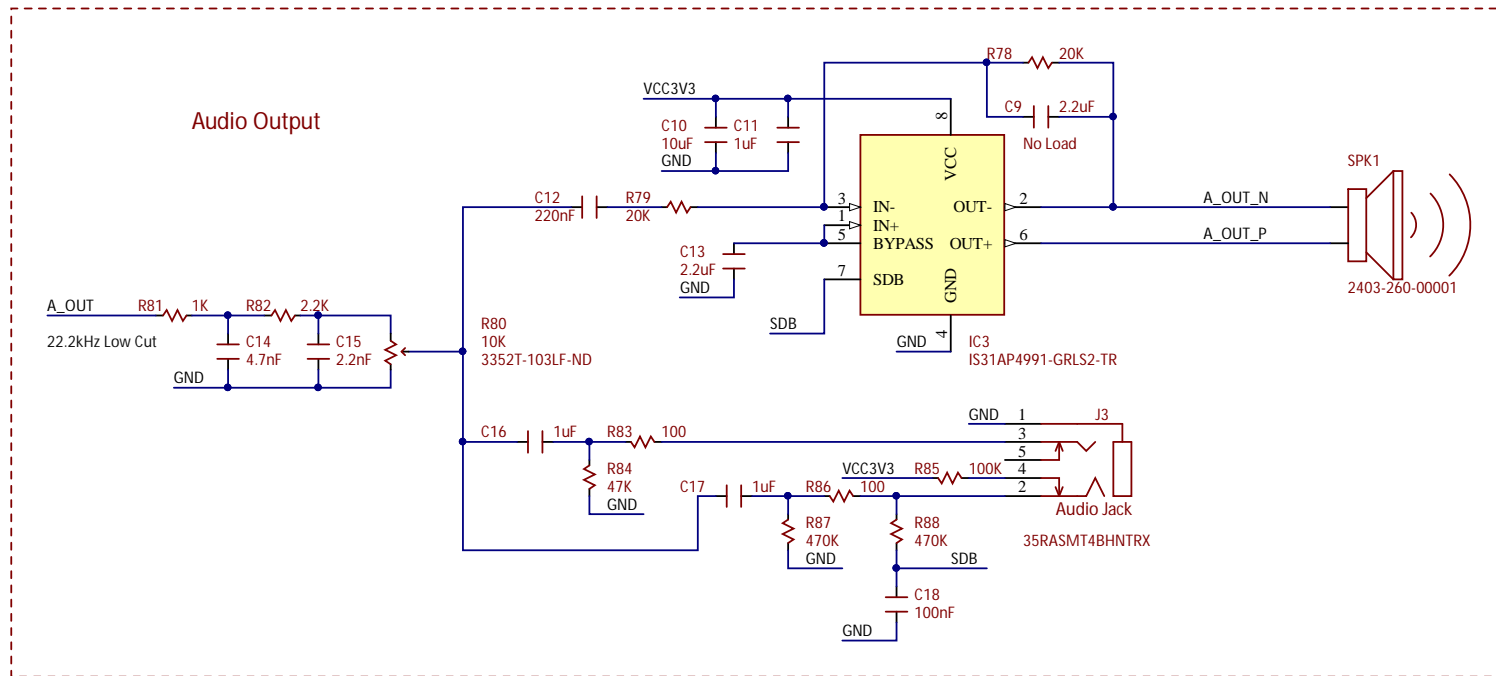
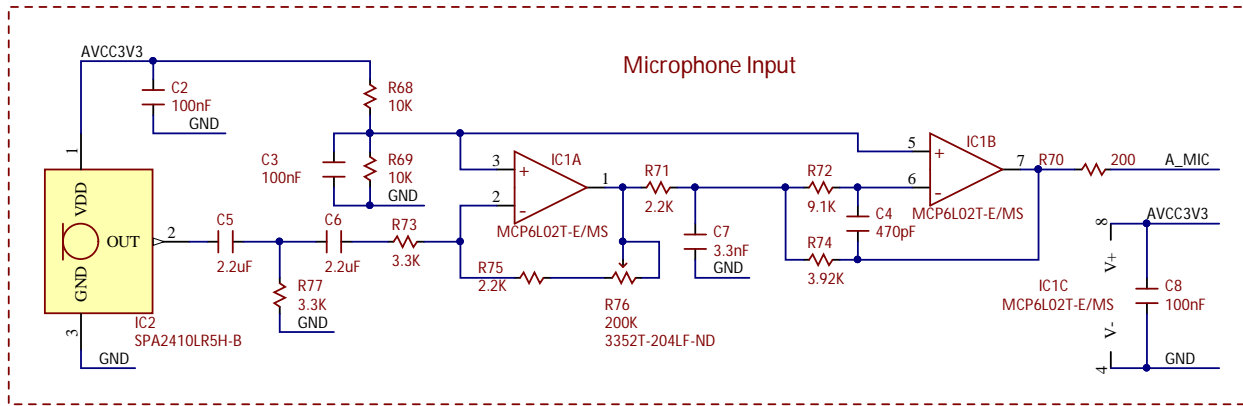


- F1 Foot
- F2 Foot
- F3 Foot
- F4 Foot
- F5 Foot
- F6 Foot
- F7 Foot
- F8 Foot

CE ROHS Basys MX3 Chinese ROHS

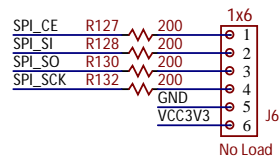
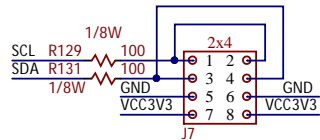
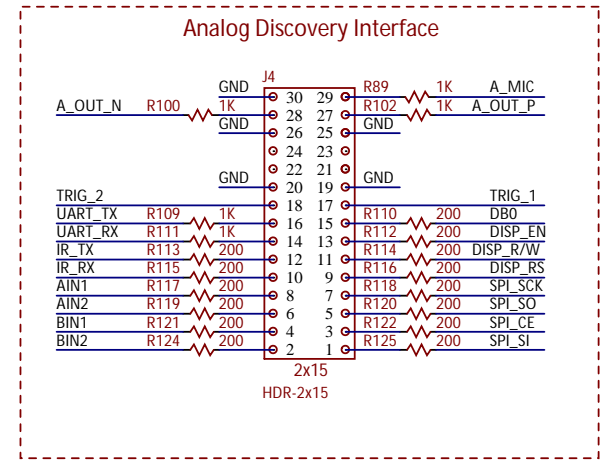
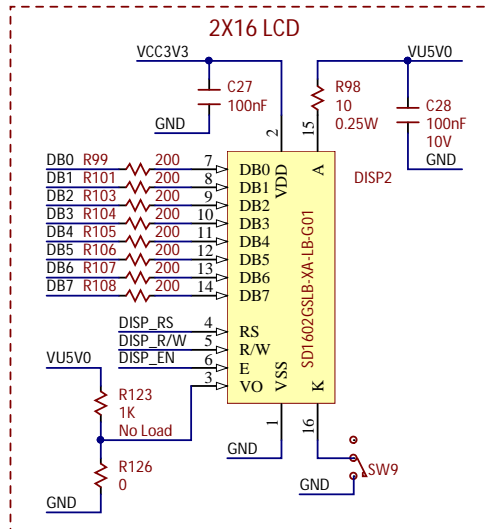
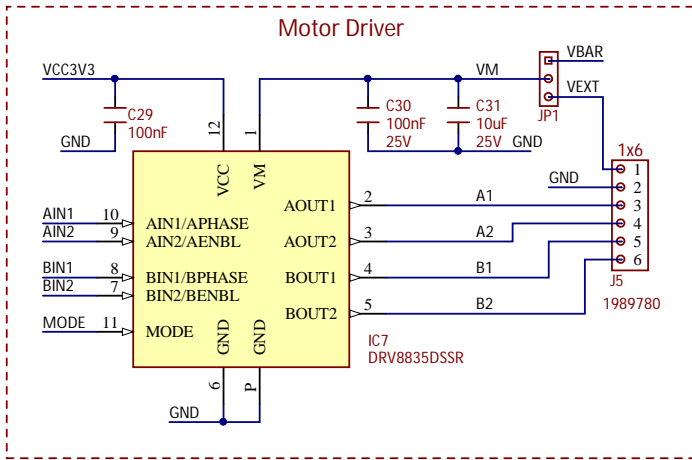
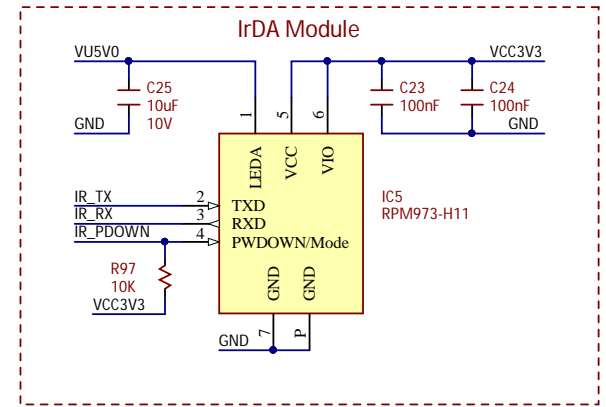
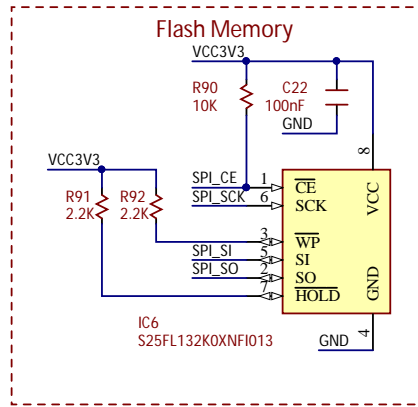
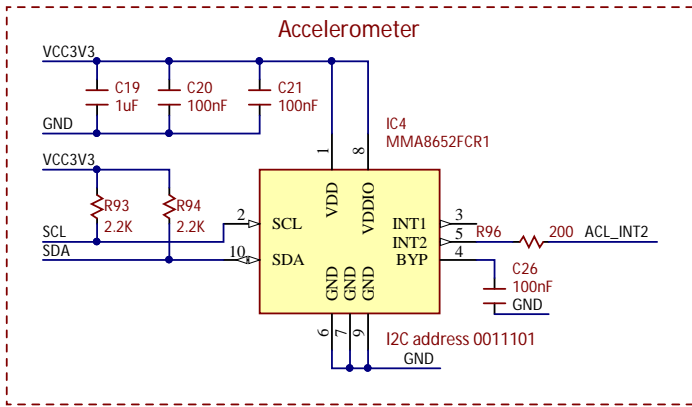
Title		Rev
<h1>Basys MX3</h1>		<h2>B.0</h2>
		Copyright 2016
Circuit	User I/O's	
Doc#	500-336	
Engineer	MTA	
Author	DL	
Date	7/25/2016	
Sheet#	1 out of 6	

DIGILENT

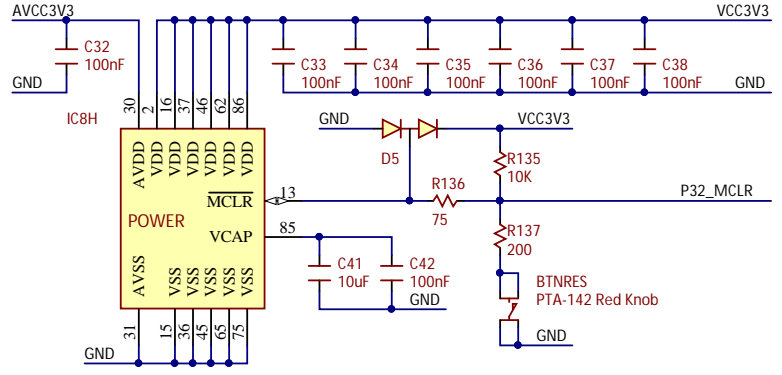
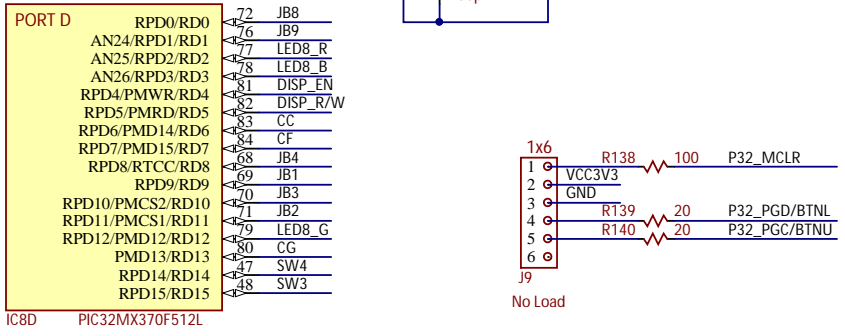
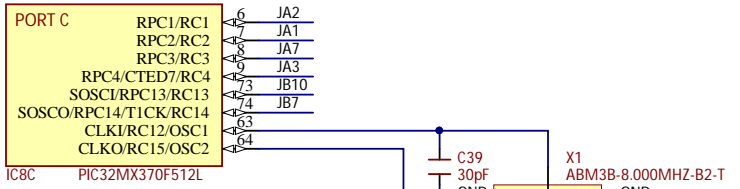
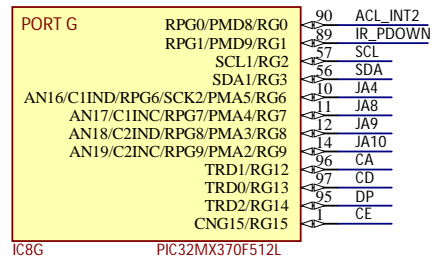
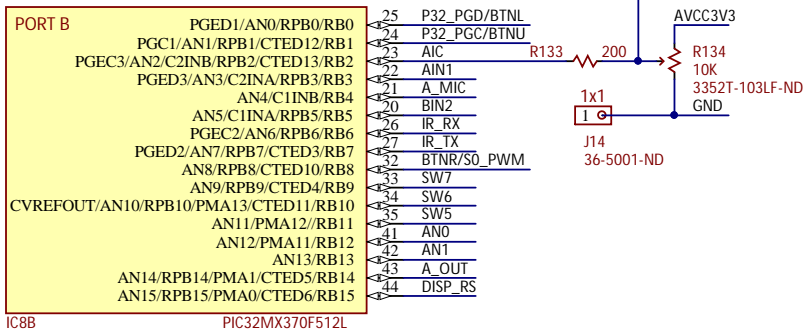
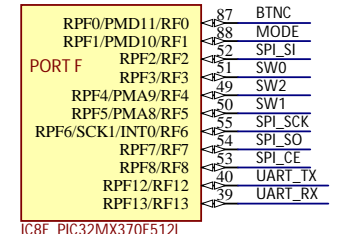
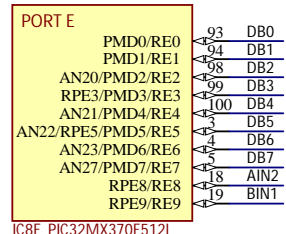
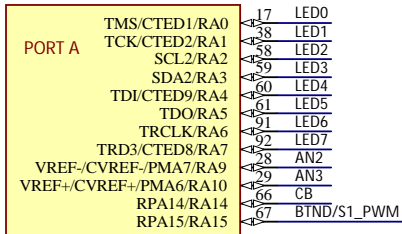


Title		Rev
Basys MX3		B.0
		Copyright 2016
Circuit		
Microphone, Audio Output		
Doc#	500-336	
Engineer	MTA	
Author	DL	
Date	7/25/2016	
Sheet#	2 out of 6	



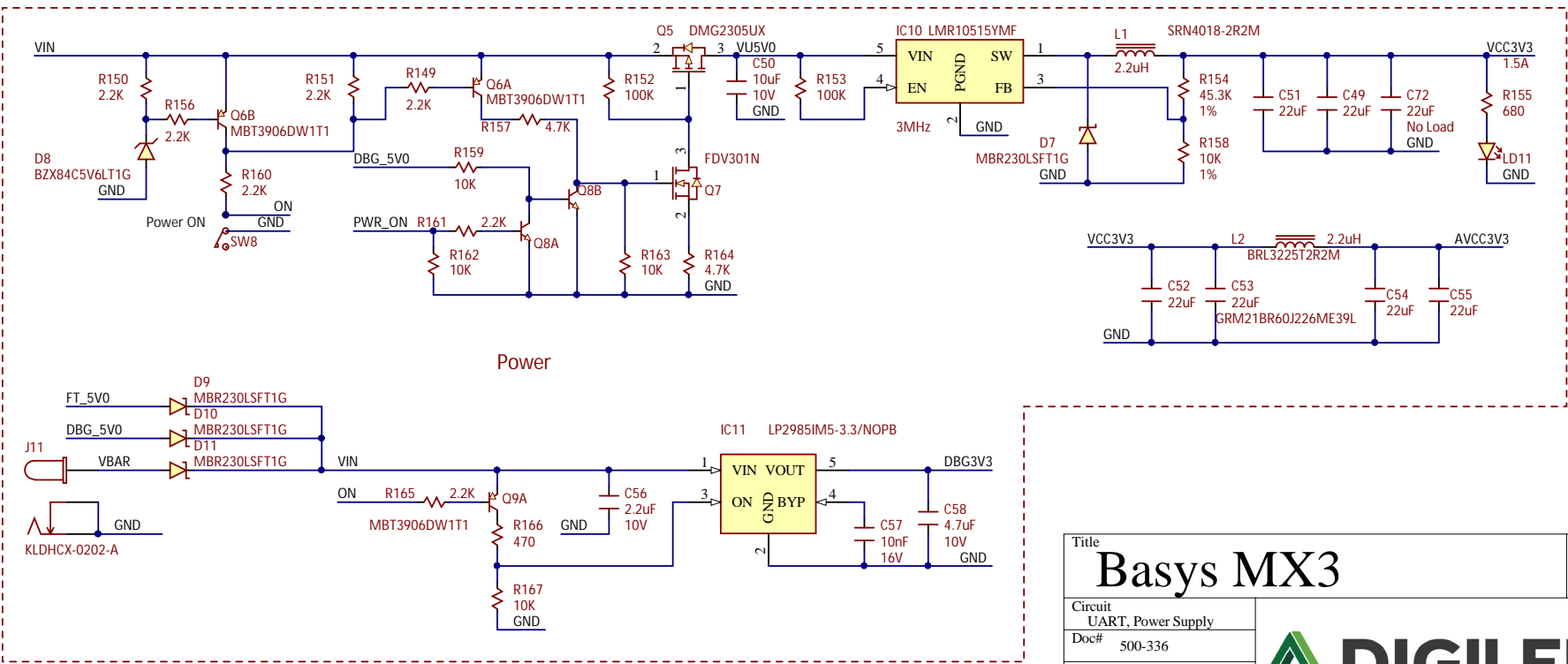
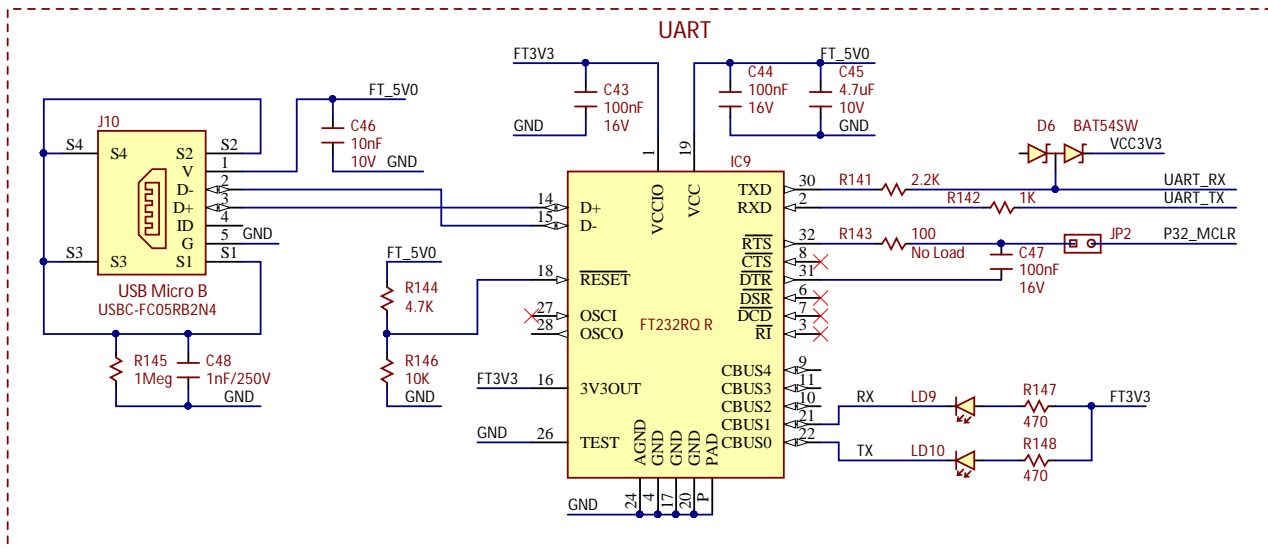


Title		Rev
Basys MX3		B.0
Circuit ACL, Flash, IrDA Motor Driver, LCD, AD Conn		Copyright 2016
Doc#	500-336	
Engineer	MTA	
Author	DL	
Date	7/25/2016	
Sheet#	3 out of 6	



Title		Rev
Basy MX3		B.0
Circuit		MCU
Doc#		500-336
Engineer		MTA
Author		DL
Date		7/25/2016
Sheet#		4 out of 6





Title		Rev
Basys MX3		B.0
Circuit UART, Power Supply		Copyright 2016
Doc#	500-336	
Engineer	MTA	
Author	DL	
Date	7/25/2016	
Sheet#	5 out of 6	



This Page Intentionally Left Blank

Title		Rev
Basys MX3		B.0
		Copyright 2016
Circuit	Debug	
Doc#	500-336	
Engineer	MTA	
Author	DL	
Date	7/25/2016	
Sheet#	6 out of 6	

