

NO.:20201207002

SPECIFICATION FOR APPROVAL

PART NAME: PUSH BUTTON SWITCH

MODEL NO: PB-22E60L

DATE :Dec.07,2020

SAMPLE QUANTITY: 10PCS

APPROVED BY

Customer : AKIZUKI DENSHI TSUSHO CO., LTD

SAMPLE FROM:

WRITTEN BY:

APPROVED BY:

Mars Rao

ZCJ

Jerry Yang

XiaMen JinBeili Electronics Co.,ltd

TEL:+86-592-739 0768,739 0769 FAX: TEL:+86-592-739 0679

Contact Person: Jerry Yang(+86-136 6608 7358)

E-mail:sales03@jblec.com

WEB:Http://www.jblec.com

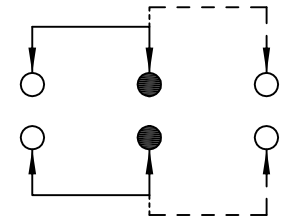
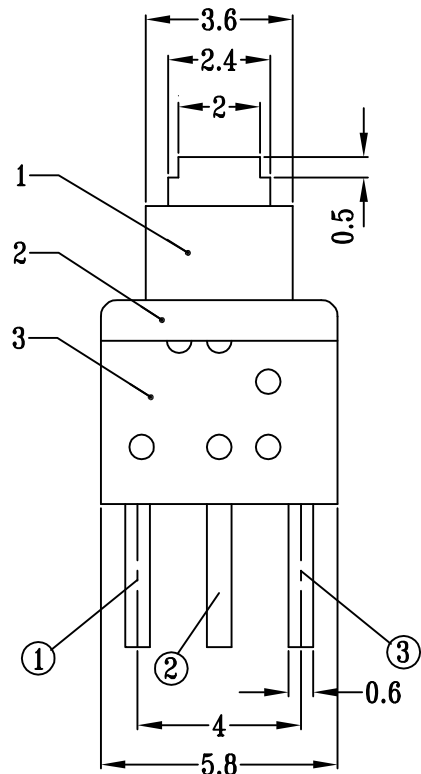
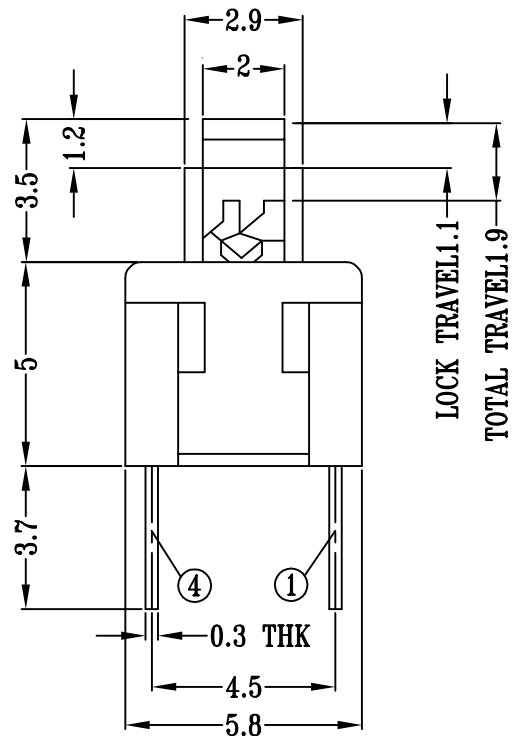
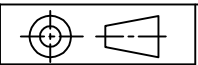


**ISO 9001 & IATF 16949 Automotive Quality Management
System Certification Manufacturing Enterprise**

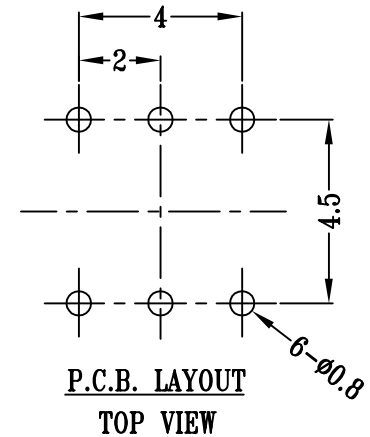
XIAMEN JINBEILI ELECTRONICS CO.,LTD.		
厦门金倍利电子有限公司	日期	2020年12月07日
SPECIFICATION (规格书)	第A版	第1页 共3页
MODEL NO: 产品名称:PB-22E60L		
DRAWN 制订	郑显军	APPD. 审批
1. RATING (额定值) : DC 30V 0.1A		
2. FUNCTION(接触型式) : 2P2T		
3. TIMING(时间特性) : SHORTING		
4. ELECTRICAL CHARACTERISTICS (电气性能规格):		
ITEM 项目	TEST CONDITIONS 测试条件	PERFORMANCE 规格
4.1 CONTACT RESISTANCE 接触电阻	1000HZ MEASURED AAT SMALL CURRENT(100 M A OR LESS) 在微小电流(100M A) 以下测试	100m MAX 100 毫欧以下
4.2 INSULATION RESISTANCE 绝缘电阻	APPLY A VOLTAGE OF 500V DC SHALL BE APPLIED FOR 1 MIN AFTER WHICH MEASUREMENT BE MADE: (1) BETWEEN TERMINALS. (2) BETWEEN INDIVIDUAL TERMINALS AND FRAME. 输入500V DC 电压1分钟, 按以下接触方法测试: (1) 排脚相互之间 (2) 排脚与外壳之间	100M Ω MIN. 100兆欧以上
4.3 DIELECTRIC STRENGTH 耐电压	AC 250V RMS(50-60HZ)FOR 1 MIN TRIP CURRENT: 0.5 MA (1) BETWEEN TERMINALS. (2) BETWEEN INDIVIDUAL TERMINALS AND FRAME. 输入AC 250V(50-60HZ)电压, 1分钟感度电流为0.5MA, 按以下接触方法测试: (1) 排脚 相互之间 (2) 排肢与外壳之间。	WITHOUT DAMAGE TO PARTS ARCING OR BREAKDOWN,ETC. 没有绝缘破坏等异常.
5. MECHANICAL CHARACTERISTICS (机械性能规格)		
ITEM 项目	TEST CONDITIONS 测试条件	PERFORMANCE 规格
5.1 OPERATING FORCE 作动力	Front-end for plastic handle parallel to the measuring point compression dynamometer to fully turn-on switch. 以胶柄前端作测点平行于测力计按压至开关完全导通.	180 \pm 50gf
5.2 TERMINAL STRENGTH 端子强度	A STATIC LOAD OF 300GF SHALL BE APPLIED TO THE TERMINAL FOR 15 SEC. IN ANY DIRECTION 在排脚前端任意一个方向加300gf力度测试, 时间为15秒	ELECTRICAL CHARACTERISTICS SHALL BE SATISFIED WITHOUT DAMAGE OR EXCESSIVE LOOSENESS OF TERMINALS. 在排脚中没有裂开,松动等 异常,满足于机械,电器性能.
5.3 KISPLACEMENT OF ACTUATOR (KNOB) 柄强度	A STATIC LOAD OF 10 N (1KGF)SHALL BE APPLIED TO THE TOP OF THE ACTUATOR (KNOD) AND THEN DISPLACEMENT SHALL BE MEASURED TO THE DIRECTION OF THE ARROW. 在柄的前端施加1KGF的力度, 位移应没印记的方向上定。	THE LEVER SHALL HAVE NO SERIOUS DEFORMATION AND FUNCTION IS NORMALLY. 柄部无严重变形,可以正常工作.

XIAMEN JINBEILI ELECTRONICS CO.,LTD.			
厦门金倍利电子有限公司		日期	2019年10月28日
SPECIFICATION (规格书)		第A版	第2页 共3页
6. ENDURANCE CHARACTERISTICS (耐久性):			
ITEM 项目	TEST CONDITIONS 测试条件		PERFORMANCE 规格
6.1	LIFE TEST 寿命试验	ENDURANCE WITHOUT LOADING: A SWITCH SHALL BE SUBJECTED TO 10, 000 CYCLES AT A SPEED OF 15 TO 18 CYCLES PER MINUTE WITHOUT LOADING. 无负荷 在无负荷的条件下以每分钟15-18回的速度进行10,000次的测试	(1) CONTACT RESISTANCE (接触电阻) 100mΩ MAX. 100毫欧以下. (2) INSULATION RESISTANCE(绝缘电阻) 100mΩ MIN. 100兆欧以上. (3) WITHSTAND VOLTAGE (耐电压) AC 250V, 1 MINUTE. AC 250V 1分钟 (4) OPERATING FORCE(作动力) ±30% INITIAL VALUE. 变化范围初始值± 30%. (5) WITHOUT DAMAGE TO PARTS ARCING OR BREAKDOWN ETC. (测试后外表无损伤, 并且满足机械性能)
6.2	SOLDERABILITY TEST 可焊性试验	THE TOP OF THE TERMINALS SHALL BE DIPPED 2mm IN THE SOLDER BATH OF 240±5°C FOR 3±0.5 SECONDS. 端子顶部被浸入焊锡池中2mm深, 温度为240±5°C, 时间为3± 0.5秒.	THE AREA OF SOLDERING SHOULD BE OVER 75%. 焊接面积要有75%以上.
6.3	RESISTANCE TO SOLDERING HEAT TEST 耐焊性试验	SOLDER BATH METHOD: SOLDER TEMPERATURE 260±5°C IMMERSION TIME 3±0.5°C SEC IMMERSION DEPTH UP TO THE SURFACE OF THE BOARD THICKNESS OF PRINTED WIRING BOARD 1.6mm DIMENSIONS OF COMPONENT HOLES IN THE PRINTED WIRING BOARD SHALL BEING ACCORDANCE WITH THOSE SPECIFIED IN THIS SPECIFICATION. 焊炉焊接的时候温度控制在260±5°C, 过炉时间3±0.5秒, 于(基板)厚度为1.6mm	WITHOUT DEFORMATION OF CASE OR EXCESSIVE LOOSENESS OF TERMINALS ELECTRICAL CHARACTERISTICS SHALL BE SATISFIED. 本体无变形, 能满足于机械电器性能。
6.4	COLD TEST 耐冷试验	THE SWITCH SHALL BE STORED AT A TEMPERATURE OF -25±3°C FOR 48 HOURS THEN THE SWITCH SHALL BE MAINTAINED AT STANDARD ATMOSPHERIC CONDITIONS FOR 1 HOUR AFTER WHICH MEASUREMENT SHALL BE MADE. 放置在温度-25±3°C中48小时后, 再放置常温常湿中1小时来进行测试	THERE SHALL BE NO DEFORMATION OR CRACKS IN MOLDED PART. 外观无异常, 满足于机械、电器性能

XIAMEN JINBEILI ELECTRONICS CO.,LTD.			
厦门金倍利电子有限公司		日期	2019年10月28日
SPECIFICATION (规格书)		第A版	第3页 共3页
6.5	HEAT TEST 耐热试验	<p>THE SWITCH SHALL BE STORED AT A TEMPERATURE OF 70 FOR 48 HOURS。 THEN THE SWITCH SHALL BE MAINTAINED AT STANDARD ATMOSPHERIC CONDITIONS FOR 1 HOUR AFTER WHICH MEASUREMENT SHALL BE MADE。</p> <p>放置在温度70±2℃中测试48小时后，再放置正常室温中1小时来测定。</p>	<p>THERE SHALL BE NO DEFORMATION OR CRACKS IN MOLDED PART.</p> <p>外观无异常，满足于机械、电器性能。</p>
6.6	HUMIDITY TEST 潮湿试验	<p>THE SWITCH SHALL BE STORED AT A TEMPERATURE OF 40±2℃ AND A HUMIDITY OF 90% TO 95% FOR 96 HOURS。 THEN THE SWITCH SHALL BE MAINTAINED AT STANDARD ATMOSPHERIC CONDITION FOR 1 HOUR AFTER WHICH MEASUREMENT SHALL BE MADE。 放置40±2℃的相对温度为90%~95%环境中96小时后，再将样版放在正常环境1小时后进行测试。</p>	
6.7	STANDARD ATMOSPHERIC CONDITIONS 测试标准状态	<p>UNLESS OTHERWISE SPECIFIED。</p> <p>THE STANDARD RANGE OF ATMOSPHERIC CONDITIONS FOR MAKING MEASUREMENTS AND TESTS ARE AS FOLLOWS:</p> <p>(1) AMBIENT TEMPERATURE : 5℃ TO 35℃</p> <p>(2) RELATIVE HUMIDITY : 45% TO 85%</p> <p>(3) AIR PRESSURE : 86K Pa TO 106KPa</p> <p>在没有指定的情况下测试温度、湿度、气压如下:</p> <p>(1) 温度为5~35℃</p> <p>(2) 湿度为45%~85%。</p> <p>(3) 气压为86Kpa~106Kpa</p>	
6.8	PRACTICAL TEMPERATURE RANGE 使用温度范围	<p>负25℃~+70℃</p> <p>在-25℃~+70℃内使用</p>	



SCHEMATIC (NON SHORTING)



**P.C.B. LAYOUT
TOP VIEW**

8					TOLERANCE				
7					UNLESS SPECIFIED				
6					WITHIN 1.5mm : ±0.1mm	A	25-Jun-2011		
5	CAM STICK	STEEL WIRE	1	WASHING	OVER 1.5mm : ±0.2mm	ISSUE	DATE	DESCRIPTIONS OF REVISION	APPD.
4	SPRING	STEEL WIRE	1	TEMPER	TITLE : PUSH SWITCH			UNIT : mm	DRWG NO.:
3	CASE	NYLON+F.G/BRASS STRIP	1	GREY/Ag PLATED OVER Ni PLATED	MODEL: PB-22E60L			SCALE: 5:1	DWN.
2	COVER	POM	1	BLACK	XIAMEN JINBEILI ELECTRONICS CO.,TD			CHK'D	
1	KNOB	POM/PBS C5210R-EH	1	WHITE/Ag CLAD				APPD.	
NO.	PARTS	MATERIALS	Q'TY	FINISH					