

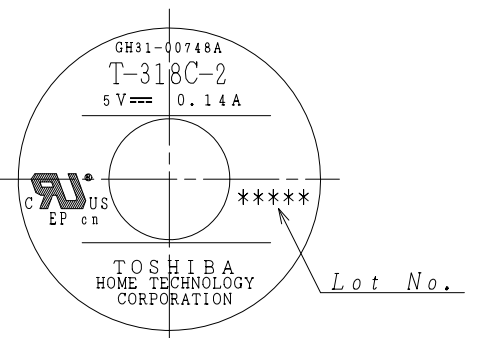
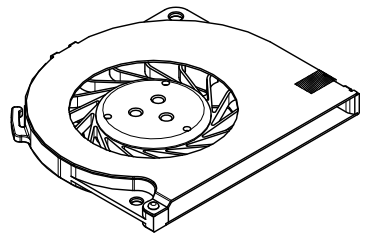
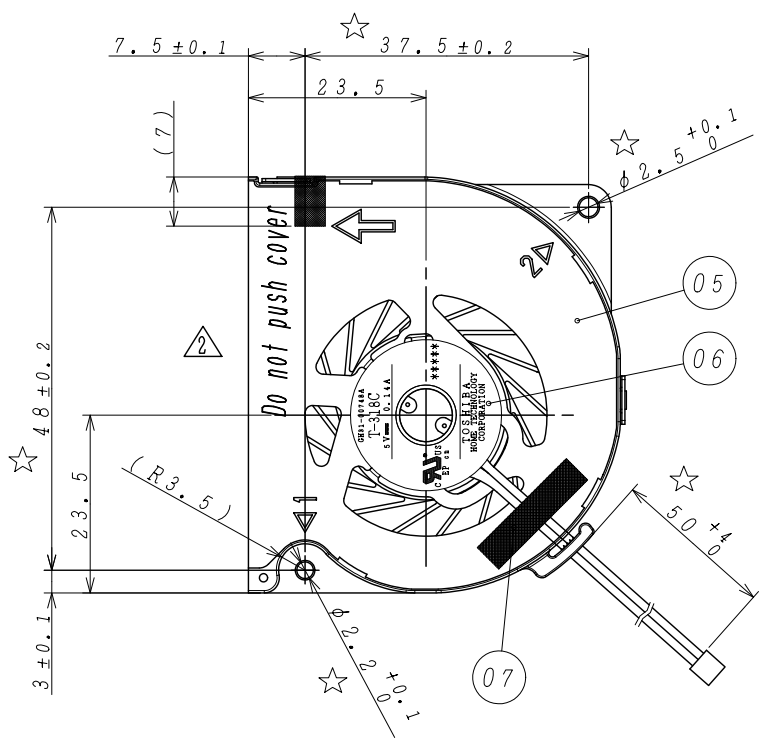
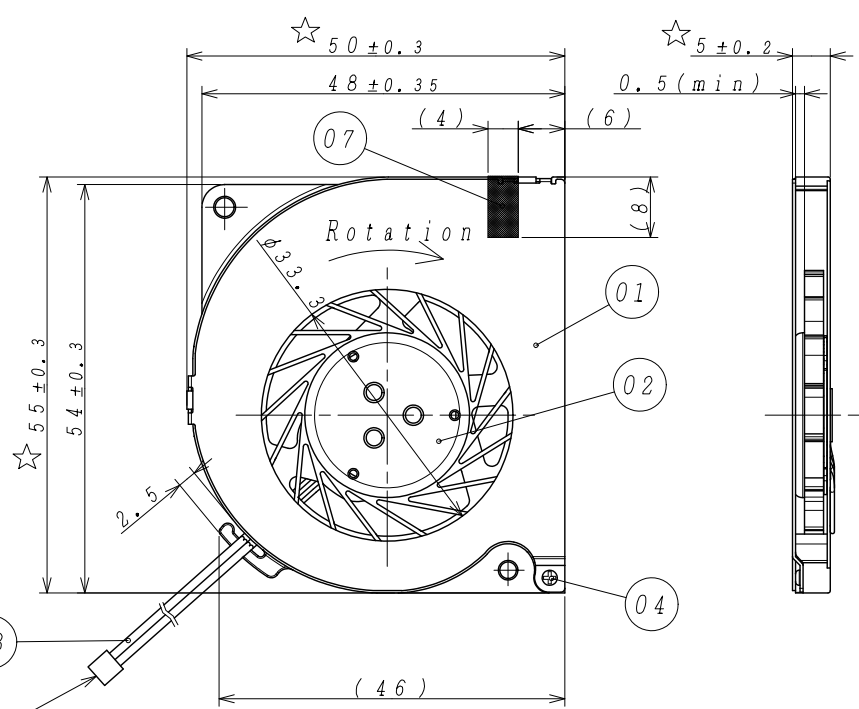
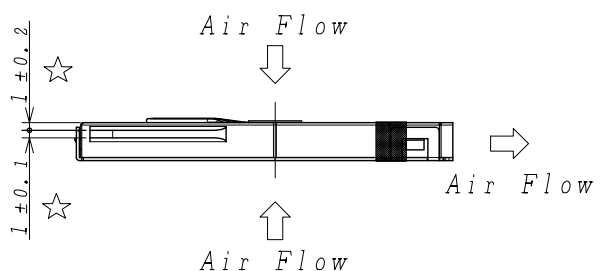
A B C D E F G H I J K L M N O P Q R S T U V W X Y Z

REVISION	DATE	CONTENTS	REVISED	APPROVED
△				
△				
△				
△				

Dimension range	Commercial Tolerance
$dim \leq 4$	$\pm 0.2$
$4 < dim \leq 16$	$\pm 0.3$
$16 < dim \leq 64$	$\pm 0.4$
$64 < dim \leq 250$	$\pm 0.5$
Angle	$\pm 2'$

IMPORTANCE RANK	D/W	CLASS

\*dim = dimension

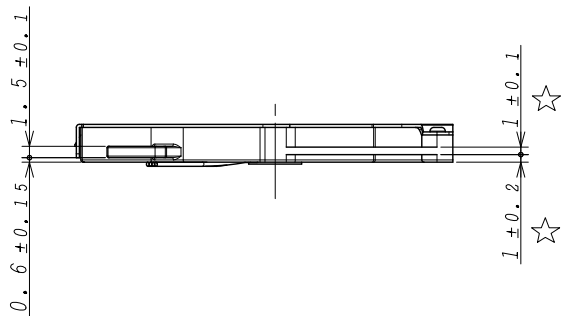


Label

Housing: DF57H-2S-1.2C(08) (HIROSE)  
Terminal: DF57-2830SCFA (HIROSE)

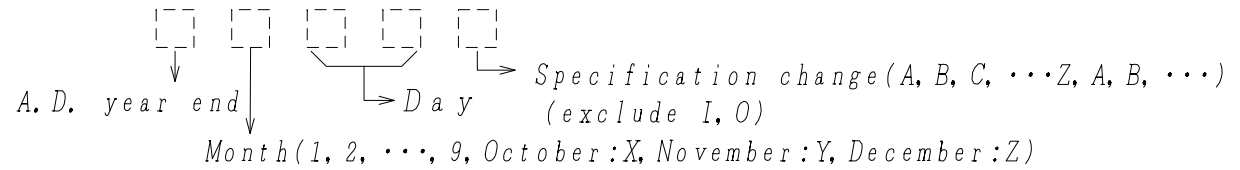
Specification of a connector

Pin No.	Lead wire	Function	Spec.
1	AWG30 赤	Vcc	DC5V
2	AWG30 黒	Gnd	0V



(Note)

- Please do not touch and push fan blade with fingers or others. And it causes noise defect. Fan blade and Bearing may be damaged.
- Please do not push the bottom of frame at fan upside down condition.
- Please do not push covers because covers might change.
- Corner R which is not directions carries out to R2 or less.
- Determine a manufacture number (Lot No.) according to the following.



6. ☆ The mark is a CTF dimension.  
(dimension required in order to attach in a product)

QUANTITY	NO.	PARTS CODE	PARTS NAME	MATERIAL	REMARK
2	07		Tape	Acetate tape	
1	06		Lavel	Paper	
1	05		Case	SECC+PBT	
1	04		Screw	SWCH	
1	03		Lead wire	AWG#30	A standard diameter φ0.7
1	02		Impeller	PBT	
1	01		Cover	SECC	
1	A				
		PRODUCT NAME	MODEL NAME	PARTS NAME	
		Cooling fan	T-318C-2	Motor assembly	
		UNIT	SCALE		
		mm	1:1		
		TOSHIBA HOME TECHNOLOGY CORPORATION			

1 2 3 4 5 6 7 8 9 10